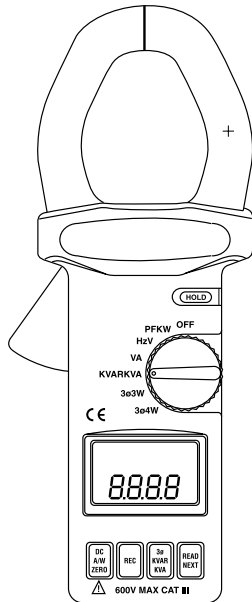




**INSTRUCTION MANUAL
MANUAL DE INSTRUCCIONES
MANUEL D'INSTRUCTIONS**



**CMP-200
DIGITAL CLAMP-ON
METER
MEDIDOR DIGITAL
CON PINZA
COMPTEUR
NUMERIQUE A
PINCES**



Read and understand all of the instructions and safety information in this manual before operating or servicing this tool.

Lea y entienda todas las instrucciones y la información sobre seguridad que aparecen en este manual, antes de manejar estas herramientas o darles mantenimiento.

Lire attentivement et bien comprendre toutes les instructions et les informations sur la sécurité de ce manuel avant d'utiliser ou de procéder à l'entretien de cet outil.



Description

The Greenlee CMP-200 is a Digital Clamp-on Meter intended to measure true power (watts), apparent power (volt-amps), reactive power (volt-amps reactive) and power factor in single-phase and three-phase circuits. It also measures voltage, current and frequency.

Safety



Safety is essential in the use and maintenance of Greenlee tools and equipment. This instruction manual and any markings on the tool provide information for avoiding hazards and unsafe practices related to the use of this tool. Observe all of the safety information provided.

Purpose

This instruction manual is intended to familiarize all personnel with the safe operation and maintenance procedures for the Greenlee CMP-200.

Keep this manual available to all personnel.

Replacement manuals are available upon request at no charge.

 and  **GREENLEE** are registered trademarks of Greenlee Textron.



KEEP THIS MANUAL





Important Safety Information



SAFETY ALERT SYMBOL

This symbol is used to call your attention to hazards or unsafe practices which could result in an injury or property damage. The signal word, defined below, indicates the severity of the hazard. The message after the signal word provides information for preventing or avoiding the hazard.

▲ DANGER

Immediate hazards which, if not avoided, WILL result in severe injury or death.

▲ WARNING

Hazards which, if not avoided, COULD result in severe injury or death.

▲ CAUTION

Hazards or unsafe practices which, if not avoided, MAY result in injury or property damage.



▲ WARNING

Read and understand this material before operating or servicing this equipment. Failure to understand how to safely operate this tool can result in an accident causing serious injury or death.





Important Safety Information



⚠ WARNING

Electric shock hazard:
Contact with live circuits can result in severe injury or death.

⚠ WARNING

Electric shock hazard:

- Do not use the unit if it is wet or damaged.
- Use test leads or accessories that are appropriate for the application. See the category and voltage rating of the test lead or accessory.
- Inspect the test leads or accessory before use. They must be clean and dry, and the insulation must be in good condition.

Failure to observe these warnings can result in severe injury or death.

⚠ WARNING

Electric shock hazard:

- Do not apply more than the rated voltage between any two input terminals, or between any input terminal and earth ground.
- Do not contact the test lead tips or any uninsulated portion of the accessory.

Failure to observe these warnings can result in severe injury or death.



CMP-200

Important Safety Information

▲WARNING

- Do not operate with the case open.
- Before opening the case, remove the test leads (or jaw) from the circuit and shut off the unit.

Failure to observe these warnings can result in severe injury or death.

▲CAUTION

Do not change the measurement function while the test leads are connected to a component or circuit.

Failure to observe this precaution can result in injury and can damage the unit.

▲CAUTION

- Do not attempt to repair this unit. It contains no user-serviceable parts.
- Do not expose the unit to extremes in temperature or high humidity.
See Specifications.

Failure to observe these precautions can result in injury and can damage the unit.

IMPORTANT

Using this unit near equipment that generates electromagnetic interference can result in unstable or inaccurate readings.

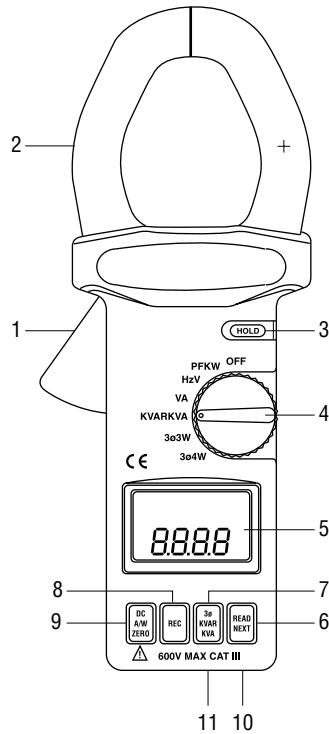


Glossary

PF	Power Factor
Ø	Phase
W	Wire
W	Watts (True Power)
VA	Volt-Amps (Apparent Power)
VAR	Volt-Amps Reactive (Reactive Power)


Identification

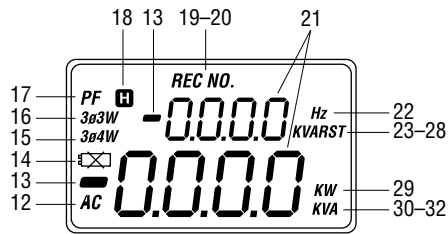
1. Lever
2. Jaw
3. Hold Button
4. Selector
5. Display
6. READ NEXT Button
7. 3Ø KVAR KVA Button
8. REC Button
9. DC A/W ZERO Button
10. + Terminal
11. COM Terminal





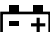


Display Icons

- 12. AC Alternating Current
- 13. - Polarity Indicator
- 14.  Low Battery
- 15. 3Ø4W Three-Phase Four-Wire Circuits
- 16. 3Ø3W Three-Phase Three-Wire Circuits
- 17. PF Power Factor
- 18. H Hold
- 19. REC Indicates that data is stored in memory
- 20. REC NO. Indicates that stored data is on the display
(1, 2, 3 or 4)
- 21. 0.0.0.0 Numeric Display
- 22. Hz Frequency (in Hertz or cycles per second)
- 23. K Kilo (10³)
- 24. V Volts
- 25. A Amps
- 26. R First Phase
- 27. S Second Phase
- 28. T Third Phase
- 29. KW Kilowatt
- 30. K Kilo (10³)
- 31. V Volts
- 32. A Amps
- OL Overload (not shown)



Symbols on the Unit

-  Read the instruction manual.
-  Double Insulation
-  Battery



Using the Features

- **HOLD** Press momentarily to hold the present value on the display and store it in the memory. Press again to exit this mode.
- **DC A/W ZERO Button** Sets the meter to zero to eliminate the effects of residual magnetism when measuring DC current, power and power factor.
- **REC Button** Press to store data in memory; the CMP-200 has four memory locations. FULL indicates that all memory locations are in use. Shut the meter off to clear all of the memories.
- **3Ø KVAR KVA** After the 3Ø3W or 3Ø4W function has finished calculations, press this button to toggle between power factor (PF)/true power (W) display and reactive power (VAR)/apparent power (VA) display.
- **READ NEXT Button** When taking current and voltage measurements from 3Ø3W or 3Ø4W circuits, use this button for storing data and performing calculations.

When measuring any other value, use this button to recall data stored in the four memory locations. REC NO. 1 will appear momentarily on the display, followed by the value stored in the first memory. Change the selector to any position to exit the READ mode.



AC Measurement

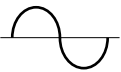


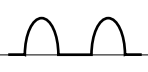
AC measurements are usually displayed as RMS (*root mean squared*) values. Two methods of AC measurement are *average-responding RMS calibrated* and *true RMS-reading*.

The average-responding RMS calibrated method takes the average value of the input signal, multiplies it by 1.11, and displays the result. This method is accurate if the input signal is a pure sine wave.

The true RMS-reading method uses internal circuitry to read the true RMS value. This method is accurate, within the specified crest factor limitations, whether the input signal is a pure sine wave, a square wave, sawtooth, half wave or signal with harmonics. The ability to read true RMS provides much more measurement versatility. The Greenlee CMP-200 is a true RMS meter.

The Waveforms and Crest Factors table shows some typical AC signals and their RMS values.

Waveforms and Crest Factors

Waveform				
RMS Value	100	100	100	100
Average Value	90	100	87	64
Crest Factor* (ξ)	1.414	1	1.73	2

* The crest factor is the ratio of the peak value to the RMS value; it is represented by the Greek letter ξ .





Operation

	⚠ WARNING
	Electric shock hazard: Contact with live circuits can result in severe injury or death.

1. See the Settings Tables. Set the selector to the proper setting and connect the test leads to the meter.
2. See the appropriate section for specific measurement instructions and illustrations.
3. Test the unit on a known functioning circuit or component.
 - If the unit does not function as expected on a known functioning circuit, replace the battery and/or fuse.
 - If the unit still does not function as expected, send the unit to Greenlee for repair.
4. Take the reading from the circuit or component to be tested.

Measurements on Single-Phase Circuits

Single-Phase Two-Wire Circuits: Settings Table

Measurement	Selector Setting	Icons Displayed	Red Lead Connection	Black Lead Connection	Clamp Location
Voltage or Frequency	Hz V	Hz and V	hot or neutral	hot or neutral	N/A
Watts and Power Factor* (W and PF)	PF KW and press DCA/W ZERO	PF and KW	hot	neutral	hot
Apparent and Reactive Power (KVA and KVAR)	KVAR KVA and press DCA/W ZERO	KVAR and KVA	hot	neutral	hot
Current or Voltage	VA	V and A	hot	neutral	hot

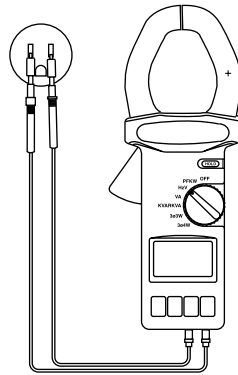
* A positive (+) PF indicates an inductive load. A negative (-) PF indicates a capacitive load. If the PF is greater than 0.91 (a phase shift of less than 25°), set the selector to 3Ø3W for a more accurate reading of KVA and KVAR.



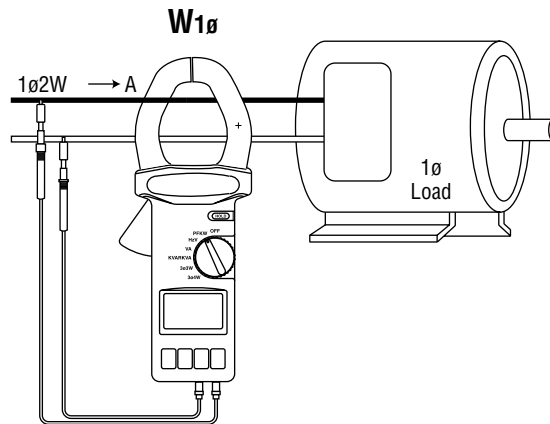
CMP-200

Measurements on Single-Phase Circuits (cont'd)

Single-Phase Two-Wire Circuits:
Voltage or Frequency Measurement



Single-Phase Two-Wire Circuits: True Power, Power Factor, Apparent Power and
Reactive Power Measurement or Current and Voltage Measurement





Measurements on Single-Phase Circuits (cont'd)

Single-Phase Three-Wire Circuits: Settings Table

Measurement: True Power, Power Factor*, Apparent Power and Reactive Power (W, PF, KVA, KVAR) Type of Circuit: 1 ϕ 3W Selector Setting: 3 ϕ 3W			
Instructions	Red Lead Connection	Black Lead Connection	Clamp Location
“R” will flash on the display. Press DCA/W ZERO** . Connect the leads and position the clamp as shown to take the first measurement (W_{RS} / $KVAR_{RS}$).	L1	Neutral	L1
After the measurement stabilizes, press READ NEXT . “T” will flash on the display. Remove clamp from wire. Press DCA/W ZERO** and connect the leads and position the clamp as shown to take the final measurement (W_{TS} / $KVAR_{TS}$).	L2	Neutral	L2
After the final measurement stabilizes, press READ NEXT . The CMP-200 will calculate and display the power factor (PF) and true power (W). Press 3ϕ KVAR KVA to display the reactive power (KVAR) and apparent power (KVA).			

* A positive (+) PF indicates an inductive load. A negative (-) PF indicates a capacitive load.

Power factor value is correct for balanced loads only.

** Jaw should be closed and removed from circuit whenever DCA/W ZERO is pressed.

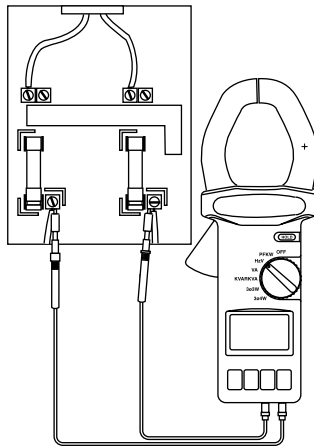
Note: The + sign on the jaw must face the power source.



CMP-200

Measurements on Single-Phase Circuits (cont'd)

Single-Phase Three-Wire Circuits: Voltage or Frequency Measurement



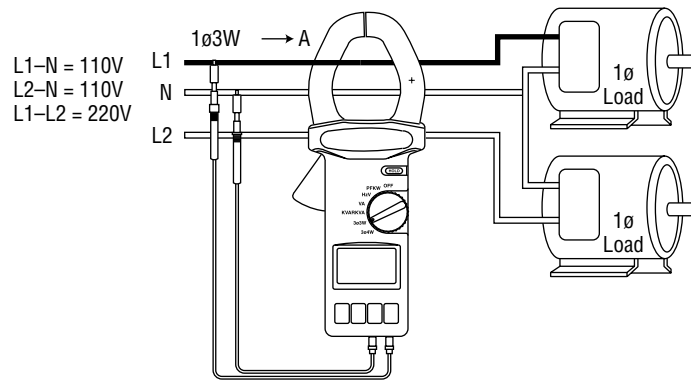


Measurements on Single-Phase Circuits (cont'd)

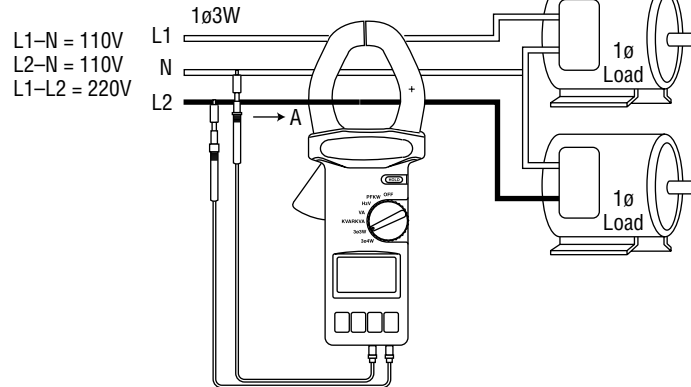
Single-Phase Three-Wire Circuits:

True Power, Power Factor, Apparent Power and Reactive Power Measurement

WL1 (WRS)



WL2 (WTS)





Measurements on Three-Phase Circuits

The branches or legs of three phase electrical circuits are typically labeled in any of the following conventions:

- A, B and C
- L1, L2 and L3
- R, S, and T

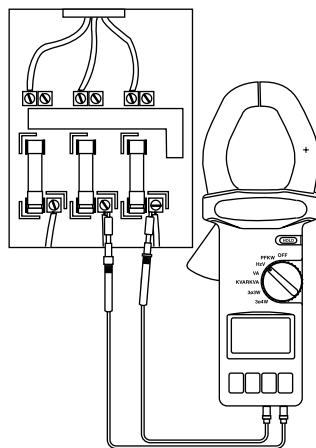
They are referred to as R, S and T in this manual and on the meter.

Three-Phase Circuits: Settings Table for Voltage and Frequency

Measurement	Type of Circuit	Selector Setting	Icons Displayed	Red Lead Connection	Black Lead Connection	Clamp Location
Voltage or Frequency	3 ϕ 3W or 3 ϕ 4W	Hz V	Hz and V	R, S or T	any other phase (or neutral on 3 ϕ 4W only)	N/A



Three-Phase Circuits: Voltage or Frequency Measurement





Measurements on Three-Phase Circuits (cont'd)

Three-Phase Three-Wire Circuits: Settings Table for Power Measurements

Measurement: True Power, Power Factor*, Apparent Power and Reactive Power (W, PF, KVA and KVAR) Type of Circuit: 3 ϕ 3W Selector Setting: 3 ϕ 3W			
Instructions	Red Lead Connection	Black Lead Connection	Clamp Location
"R" will flash on the display. Press DCA/W ZERO** . Connect the leads and position the clamp as shown to take the first measurement (W_{RS} / $KVAR_{RS}$).	R	S	R
After the measurement stabilizes, press READ NEXT . "T" will flash on the display. Remove clamp from wire. Press DCA/W ZERO** and connect the leads and position the clamp as shown to take the final measurement (W_{TS} / $KVAR_{TS}$).	T	S	T
After the final measurement stabilizes, press READ NEXT . The CMP-200 will calculate and display the power factor (PF) and true power (W). Press 3ϕ KVAR KVA to display the reactive power (KVAR) and apparent power (KVA).			

* A positive (+) PF indicates an inductive load. A negative (-) PF indicates a capacitive load. Power factor value is correct for balanced loads only.

** Jaw should be closed and removed from circuit whenever DCA/W ZERO is pressed.

Notes:

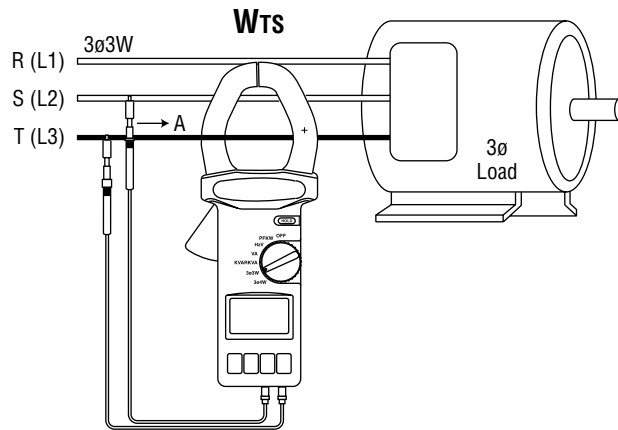
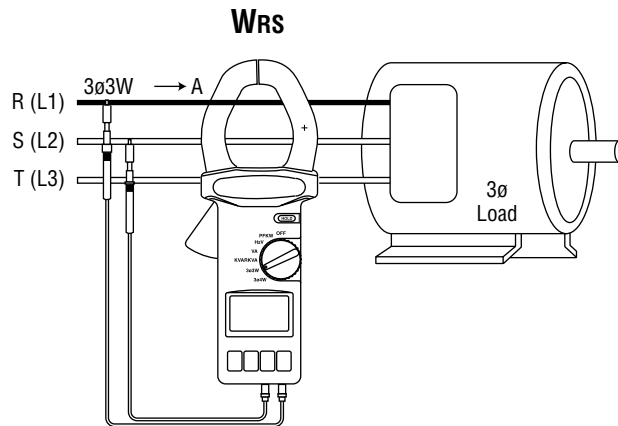
- The + sign on the jaw must face the power source.
- COM connection (black lead) should remain connected to the same phase during both measurements.
- Both power measurements may be positive, or one may be negative. Make sure all connections are correct to obtain proper measurements.



CMP-200

Measurements on Three-Phase Circuits (cont'd)

**Three-Phase Three-Wire Measurements:
True Power, Power Factor, Apparent Power and Reactive Power Measurement**





Measurements on Three-Phase Circuits (cont'd)

Three-Phase Four-Wire Circuits: Settings Table

Measurement: True Power, Power Factor*, Apparent Power and Reactive Power (W, PF, KVA and KVAR) Type of Circuit: 3 ϕ 4W Selector Setting: 3 ϕ 4W			
Instructions	Red Lead Connection	Black Lead Connection	Clamp Location
"R" will flash on the display. Press DCA/W ZERO** . Connect the leads and position the clamp as shown to take the first measurement (W_R / PF_R).	R	N	R
After the measurement stabilizes, press READ NEXT . "S" will flash on the display. Remove clamp from wire. Press DCA/W ZERO** and connect the leads and position the clamp as shown to take the final measurement (W_S / PF_S).	S	N	S
After the measurement stabilizes, press READ NEXT . "T" will flash on the display. Remove clamp from wire. Press DCA/W ZERO** and connect the leads and position the clamp as shown to take the final measurement (W_T / PF_T).	T	N	T
After the final measurement stabilizes, press READ NEXT . The CMP-200 will calculate and display the power factor (PF) and true power (W). Press 3ϕ KVAR KVA to display the reactive power (KVAR) and apparent power (KVA).			

* A positive (+) PF indicates an inductive load. A negative (-) PF indicates a capacitive load. Power factor value is correct for balanced loads only.

** Jaw should be closed and removed from circuit whenever DCA/W ZERO is pressed.

Notes:

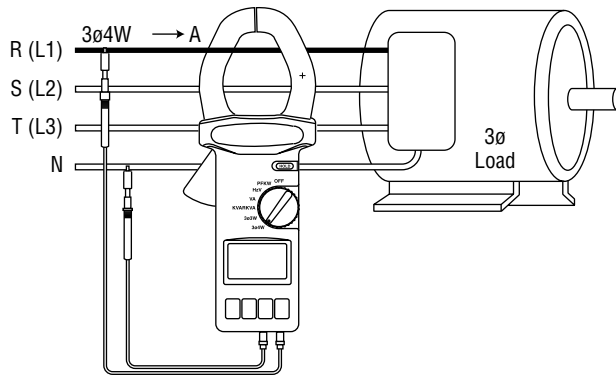
- The + sign on the jaw must face the power source.
- All three power measurements (W_R , W_S and W_T) should be positive. Check test lead connection and clamping of jaw if any power measurement is negative.



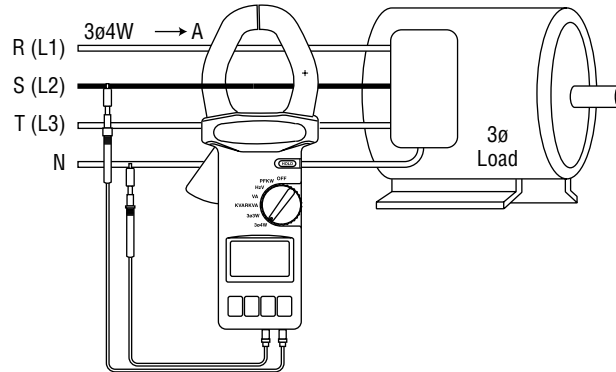
Measurements on Three-Phase Circuits (cont'd)

Three-Phase Four-Wire Measurements: True Power, Power Factor, Apparent Power and Reactive Power Measurement

WR (L1)

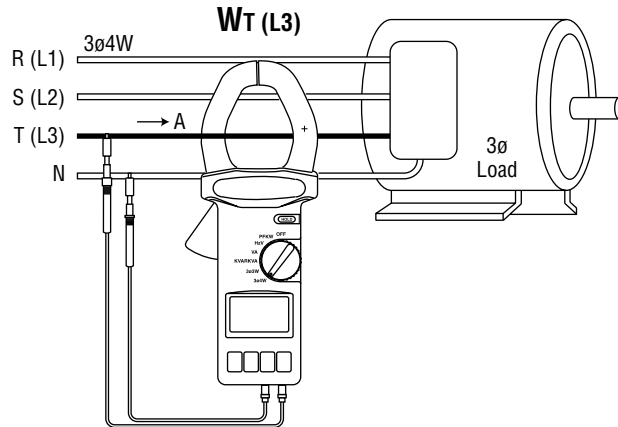


Ws (L2)





Measurements on Three-Phase Circuits (cont'd)



Calculations

When using the 3Ø3W and 3Ø4W functions of the CMP-200, the unit automatically performs the following calculations:

Single-Phase

$$W_{1Ø3W} = W_{L1L2N} = W_{L1N} + W_{L2N}$$

Three-Phase Three-Wire

$$W_{3Ø3W} = W_{RS} + W_{TS}$$

$$KVAR_{3Ø3W} = KVAR_{RS} + KVAR_{TS}$$

$$KVA_{3Ø3W} = \sqrt{[KW_{3Ø3W}]^2 + [KVAR_{3Ø3W}]^2}$$

$$PF_{3Ø3W} = \frac{KW_{3Ø3W}}{KVA_{3Ø3W}}$$

Three-Phase Four-Wire

$$W_{3Ø4W} = W_R + W_S + W_T$$

$$KVAR_{3Ø4W} = KVAR_R + KVAR_S + KVAR_T$$

$$KVA_{3Ø4W} = \sqrt{[KW_{3Ø4W}]^2 + [KVAR_{3Ø4W}]^2}$$

$$PF_{3Ø4W} = \frac{KW_{3Ø4W}}{KVA_{3Ø4W}}$$



Accuracy

Accuracy is specified as follows: \pm (a percentage of the reading + a fixed amount) at 18 °C to 28 °C (64.4 °F to 82.4 °F).

Accuracy Table

Value	Measurement Range	Accuracy	
**Frequency	50/60 Hz	\pm (2 d)*	
	10 Hz to 1000 Hz	\pm (1.5% + 2 d)*	
†True Power (AC or DC)	0 to 99.99 KW	\pm (2% + 0.05 KW)	
	100 to 999.9 KW	\pm (2% + 0.5 KW)	
	1000 to 1200 KW	\pm (2% + 5 KW)	
†KVAR (AC or DC)	0 to 99.99 KW	\pm (2% + 0.05 KW)	
	100 to 999.9 KW	\pm (2% + 0.5 KW)	
	1000 to 1200 KW	\pm (2% + 5 KW)	
		at 0 Hz and 50/60 Hz	at 40 Hz to 400 Hz
††Voltage (AC or DC) at 10 mΩ Input Impedance	0 to 499.9 V	\pm (1.5% + 0.5 V)	\pm (2.0% + 0.5 V)
	500 to 600 V	\pm (1.5% + 5 V)	\pm (2.0% + 5 V)
††Current (AC or DC)	0 to 199.9 A	\pm (1.5% + 0.5 A)	\pm (2.0% + 0.5 A)
	200 to 499.9 A	\pm (2.0% + 0.5 A)	\pm (2.5% + 0.5 A)
	500 to 2000 A	\pm (2.0% + 5 A)	\pm (2.5% + 5 A)

* d refers to the least significant digit (the number in the right-most position)

** Sensitivity: Volts > 1 V; Amps > 5 A

Minimum Input Frequency: 10 Hz

† Maximums: 600 V, 2000 Amps

Power Factor: 0.2 to 1.0

†† Accuracy specified for crest factor less than 4



Specifications

Display: Dual 4-digit LCD (9999 maximum count)

Polarity: Automatic

Sampling Rate:

Volts and Amps: 2 per second

Watts: 0.6 per second

Jaw Opening: 55 mm (2.17")

Operating Conditions: 4 °C to 50 °C (39.2 °F to 122 °F) , 0 to 85% relative humidity

Elevation: 2000 m (6500') maximum

Storage Conditions: -20 °C to 60 °C (-4 °F to 140 °F), 0 to 75% relative humidity

Remove battery.

Battery: 9-Volt battery (NEDA 1604, JIS 006P or IEC 6F22)

Overvoltage Protection: Category III, 600 Volts



Cleaning

Periodically wipe the case with a damp cloth and mild detergent; do not use abrasives or solvents.





CMP-200

Descripción

El Medidor digital con pinza modelo CMP-200 de Greenlee está diseñado para medir potencia real (vatios), potencia aparente (voltiamperios), potencia reactiva (voltiamperios reactivos) y factor de potencia en circuitos monofásicos y trifásicos. También sirve para medir tensión, corriente y frecuencia.

Acerca de la seguridad

Es fundamental observar métodos seguros al utilizar y dar mantenimiento a las herramientas y equipo Greenlee. Este manual de instrucciones y todas las marcas que ostenta la herramienta le ofrecen la información necesaria para evitar riesgos y hábitos poco seguros relacionados con su uso. Siga toda la información sobre seguridad que se proporciona.

Propósito de este manual

Este manual de instrucciones tiene como propósito familiarizar a todo el personal con los procedimientos de operación y mantenimiento seguros para la unidad CMP-200 de Greenlee.

Manténgalo siempre al alcance de todo el personal.

Puede obtener copias adicionales de manera gratuita, previa solicitud.



GREENLEE son marcas registradas de Greenlee Textron.



CONSERVE ESTE MANUAL





Importante Información sobre Seguridad



SÍMBOLO DE ALERTA SOBRE SEGURIDAD

Este símbolo se utiliza para indicar un riesgo o práctica poco segura que podría ocasionar lesiones o daños materiales. Cada uno de los siguientes términos denota la gravedad del riesgo. El mensaje que sigue a dichos términos le indica cómo puede evitar o prevenir ese riesgo.

PELIGRO

Peligros inmediatos que, de no evitarse, OCASIONARÁN graves lesiones o incluso la muerte.

ADVERTENCIA

Peligros que, de no evitarse, PODRÍAN OCASIONAR graves lesiones o incluso la muerte.

PRECAUCIÓN

Peligro o prácticas peligrosas que, de no evitarse, PUEDEN OCASIONAR lesiones o daños materiales.



ADVERTENCIA

Lea y entienda este documento antes de manejar esta herramienta o darle mantenimiento. Utilizarla sin comprender cómo manejarla de manera segura podría ocasionar un accidente y, como resultado de éste, graves lesiones o incluso la muerte.





CMP-200

Importante Información sobre Seguridad



⚠ADVERTENCIA

Peligro de electrocución:

El contacto con circuitos activados puede ocasionar graves lesiones o incluso la muerte.

⚠ADVERTENCIA

Peligro de electrocución:

- No utilice esta unidad si se encuentra mojada o dañada.
- Utilice cables de prueba y accesorios que sean apropiados para la aplicación que se va a realizar. Consulte la información sobre categoría y voltaje nominal del cable de prueba o el accesorio.
- Revise minuciosamente los cables de prueba o el accesorio, antes de utilizarlos. Deberán estar limpios y secos, y su forro aislante deberá hallarse en buenas condiciones.

De no observarse estas advertencias pueden sufrirse graves lesiones o incluso la muerte.

⚠ADVERTENCIA

Peligro de electrocución:

- No aplique más del voltaje nominal entre dos terminales de entrada cualesquiera, o entre una terminal de entrada cualquiera y una conexión a tierra.
- No toque las puntas de los cables de prueba ni ninguna parte del accesorio que carezca de forro aislante.

De no observarse estas advertencias pueden sufrirse graves lesiones o incluso la muerte.



Importante Información sobre Seguridad

⚠ ADVERTENCIA

- No haga funcionar esta unidad con la caja abierta.
- Antes de abrir la caja, retire del circuito los cables de prueba (o la pinza), y apague la unidad.

De no observarse estas advertencias pueden sufrirse graves lesiones o incluso la muerte.

⚠ PRECAUCIÓN

No cambie la función de medición mientras los cables de prueba estén conectados a un componente o circuito.

De no observarse esta precaución podrían sufrirse lesiones o daños a la unidad.

⚠ PRECAUCIÓN

- No intente reparar esta unidad, ya que contiene piezas que deben recibir mantenimiento por parte de un profesional.
- No exponga la unidad a ambientes de temperatura extrema ni a altos niveles de humedad. Véase la sección "Especificaciones" en este manual.

De no observarse estas precauciones podrían sufrirse lesiones o daños a la unidad.

IMPORTANTE

Al utilizar esta unidad cerca de equipo que genere interferencia electromagnética quizá se obtenga una lectura inexacta e inestable.



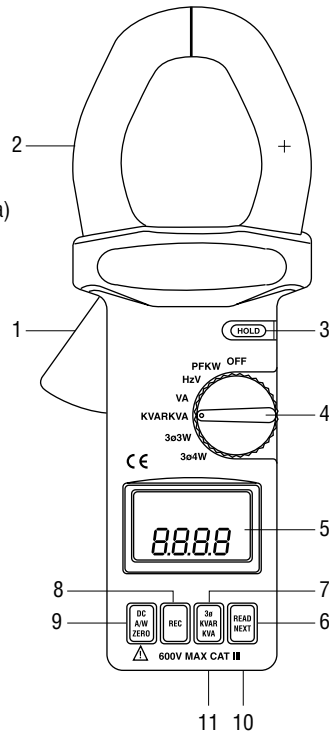
CMP-200

Glosario

PF	Factor de potencia
Ø	Fase
W	Alambre
W	Vatios (Potencia real)
VA	Voltiamperios (Potencia aparente)
VAR	Voltiamperios reactivos (Potencia reactiva)

Identificación

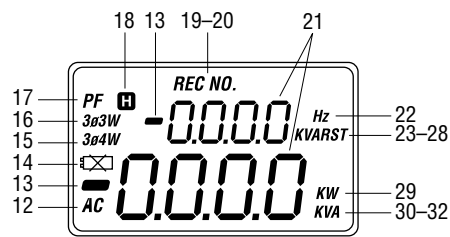
1. Palanca
2. Pinza
3. Botón "Hold" (Retención de datos en pantalla)
4. Interruptor de selección
5. Pantalla
6. Botón "READ NEXT" (Efectuar siguiente lectura)
7. Botón "3Ø KVAR KVA"
8. Botón "REC" (Grabación)
9. Botón "DC A/W ZERO"
10. Terminal +
11. Terminal COM





Iconos de la pantalla

- | | |
|------------------------------|---|
| 12. AC | Corriente alterna |
| 13. - | Indicador de polaridad |
| 14. | Pila baja |
| 15. 3Ø4W | Circuitos trifásicos tetrafilares |
| 16. 3Ø3W | Circuitos trifásicos trifilares |
| 17. PF | Factor de potencia |
| 18. H | “Hold” (Retención de datos en pantalla) |
| 19. REC | Indica que la lectura ha sido grabada en la memoria |
| 20. REC NO.
(1, 2, 3 ó 4) | Indica que la lectura grabada se encuentra en la pantalla |
| 21. 0.0.0.0 | Pantalla numérica |
| 22. Hz | Frecuencia (en hertzios o ciclos por segundo) |
| 23. K | Kilo (10 ³) |
| 24. V | Voltios |
| 25. A | Amperios |
| 26. R | Primera fase |
| 27. S | Segunda fase |
| 28. T | Tercera fase |
| 29. KW | Kilovatios |
| 30. K | Kilo (10 ³) |
| 31. V | Voltios |
| 32. A | Amperios |
| OL | Sobrecarga (no se muestra) |



Símbolos en la unidad

- | | |
|--|--------------------------------|
| | Lea el manual de instrucciones |
| | Doble forro aislante |
| | Pila |



Cómo utilizar las distintas funciones

- **Botón "HOLD"** Oprima momentáneamente para retener en pantalla el valor que aparece en ese momento en la pantalla y grabarlo en la memoria. Oprima nuevamente para salir de este modo.
- **Botón "DC A/W ZERO"** Establece el medidor en ceros a fin de eliminar los efectos del magnetismo residual al efectuar mediciones de corriente continua (CC), potencia y factor de potencia.
- **Botón "REC"** Oprima este botón para guardar datos en la memoria; la unidad CMP-200 tiene cuatro ubicaciones de memoria. La palabra "FULL" indica que todas las ubicaciones de la memoria están siendo utilizadas. Apague el medidor a fin de borrar todos los datos de todas las ubicaciones de la memoria.
- **"3Ø KVAR KVA"** Después que la función 3Ø3W o 3Ø4W ha terminado de efectuar sus cálculos, oprima este botón para alternar entre la pantalla de factor de potencia (PF)/potencia real (W) y la pantalla potencia reactiva (VAR)/potencia aparente (VA).
- **Botón "READ NEXT"** Al efectuar mediciones de corriente y tensión de circuitos 3Ø3W o 3Ø4W, utilice este botón para guardar datos y efectuar cálculos.

Al efectuar cualquier otro tipo de medición, utilice este botón para recuperar datos guardados en cualquiera de las cuatro ubicaciones de la memoria. "REC NO. 1" aparecerá momentáneamente en la pantalla, seguido del valor guardado en la primera ubicación de la memoria. Cambie el interruptor de selector a cualquier otra posición para salir del modo de lectura "READ".





Medición de corriente alterna




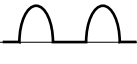
Las mediciones de corriente alterna generalmente se muestran como valores eficaces (*RMS* o *root mean squared*). Existen dos métodos de medición de corriente alterna: *calibrados para responder al valor eficaz medio y a una lectura de valores eficaces reales*.

El método calibrado para responder al valor eficaz medio toma el valor medio de la señal de entrada, la multiplica por 1,11 y muestra el resultado. El resultado es exacto si la señal de entrada es una onda sinusoidal pura.

El método de lectura de valores eficaces reales utiliza un circuito interno para leer el valor eficaz real. Este método es exacto, dentro de las limitaciones de factor de cresta especificadas, independientemente del tipo de señal de entrada, ya sea una onda sinusoidal pura, rectangular, en diente de sierra o señal con armónicas. La capacidad para leer valores eficaces reales brinda una mayor versatilidad de medición. La unidad modelo CMP-200 de Greenlee es un medidor de valores eficaces reales.

La tabla de Formas de onda y Factores de cresta muestra algunas de las señales de CA y sus valores eficaces reales más comunes.

Formas de onda y Factores de cresta

Forma de onda				
Valor eficaz real	100	100	100	100
Valor medio	90	100	87	64
Factor de cresta* (ξ)	1,414	1	1,73	2

* El factor de cresta es el cociente de un valor máximo en relación con el valor eficaz; está representado por la letra griega ξ .





Operación

	⚠ADVERTENCIA
	<p>Peligro de electrocución:</p> <p>El contacto con circuitos activados puede ocasionar graves lesiones o incluso la muerte.</p>

1. Consulte las Tablas de valores. Coloque el interruptor de selección en el valor adecuado y conecte los cables de prueba a la unidad.
2. Consulte la sección apropiada para las instrucciones y las ilustraciones específicas para cada tipo de medición.
3. Pruebe la unidad en un circuito o componente que se sabe está funcionando perfectamente.
 - Si no funciona como debería en un circuito que se sabe está funcionando perfectamente, reemplace la pila y/o el fusible.
 - Si sigue sin funcionar como debería, devuélvala a Greenlee a fin de que sea reparada.
4. Anote la lectura del circuito o componente que se está verificando.

Mediciones en circuitos monofásicos

Circuitos monofásicos bifilares: Tabla de valores

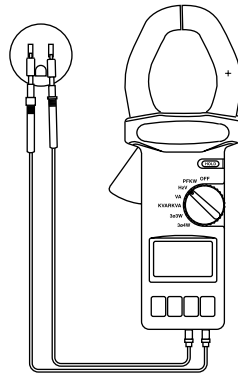
Medición	Colocación del interruptor de sel.	Iconos mostrados	Conexión del cable rojo	Conexión del cable negro	Colocación de la pinza
Tensión o Frecuencia	Hz V	Hz y V	activado o neutro	activado o neutro	N/A
Vatios y Factor de potencia* (W y PF)	PF KW y oprima DCA/W ZERO	PF y KW	activado	neutro	activado
Potencia aparente y reactiva (KVA y KVAR)	KVAR KVA y oprima DCA/W ZERO	KVAR y KVA	activado	neutro	activado
Corriente o tensión	VA	V y A	activado	neutro	activado

* Un factor de potencia (PF) positivo (+) indica una carga inductiva. Un factor de potencia (PF) negativo (-) indica una carga capacitiva. Si el factor de potencia es mayor que 0,91 (un cambio de fase de menos de 25°), coloque el interruptor de selección en 3Ø3W para obtener una lectura más precisa de KVA y KVAR.

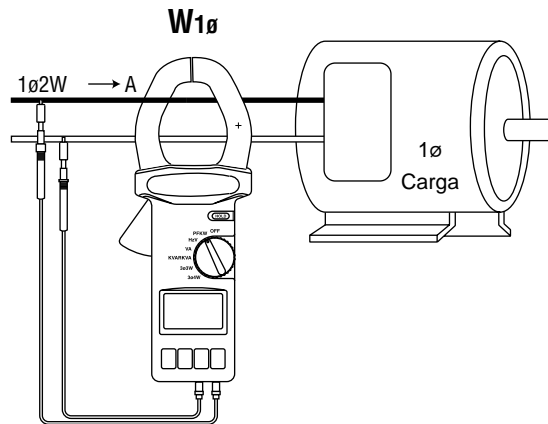


Mediciones en circuitos monofásicos (continuación)

Circuitos monofásicos bifilares:
Medición de tensión o frecuencia



Circuitos monofásicos bifilares: Medición de potencia real, factor de potencia, potencia aparente y potencia reactiva o Medición de corriente y tensión





Mediciones en circuitos monofásicos (continuación)

Circuitos monofásicos trifilares: Tabla de valores

Medición: Potencia real, factor de potencia*, potencia aparente y potencia reactiva (W, PF, KVA, KVAR) Tipo de circuito: 1Ø3W Colocación del interruptor de selección: 3Ø3W			
Instrucciones	Conexión del cable rojo	Conexión del cable negro	Colocación de la pinza
"R" comenzará a parpadear en la pantalla. Oprima "DCA/W ZERO" **. Conecte los cables de prueba y coloque la pinza tal como se muestra para efectuar la primera medición (W_{RS} / $KVAR_{RS}$).	L1	neutro	L1
Después que la medición se estabilice, oprima "READ NEXT" . "T" comenzará a parpadear en la pantalla. Retire la pinza del alambre. Oprima "DCA/W ZERO" ** y conecte los cables de prueba y coloque la pinza tal como se muestra para efectuar la medición final (W_{TS} / $KVAR_{TS}$).	L2	neutro	L2
Después que la medición final se estabilice, oprima "READ NEXT" . La unidad CMP-200 calculará y mostrará en la pantalla el factor de potencia (PF) y la potencia real (W). Oprima 3Ø KVAR KVA para visualizar la potencia reactiva (KVAR) y la potencia aparente (KVA).			

* Un factor de potencia (PF) positivo (+) indica una carga inductiva. Un factor de potencia (PF) negativo (-), indica una carga capacitiva. El valor del factor de potencia es correcto únicamente para cargas equilibradas.

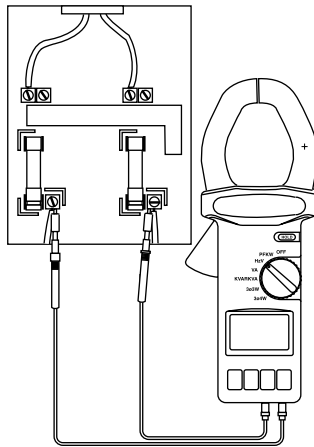
** La pinza deberá estar cerrada y retirada del circuito siempre que se oprima el botón "DCA/W ZERO".

Nota: El signo + en la pinza debe quedar frente a la fuente de energía.



Mediciones en circuitos monofásicos (continuación)

Circuitos monofásicos trifilares: Medición de tensión o frecuencia

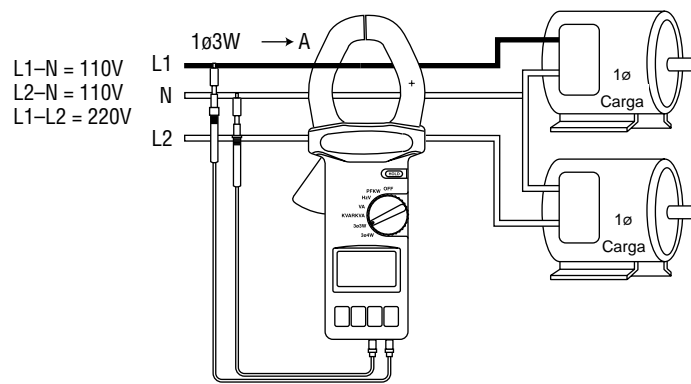




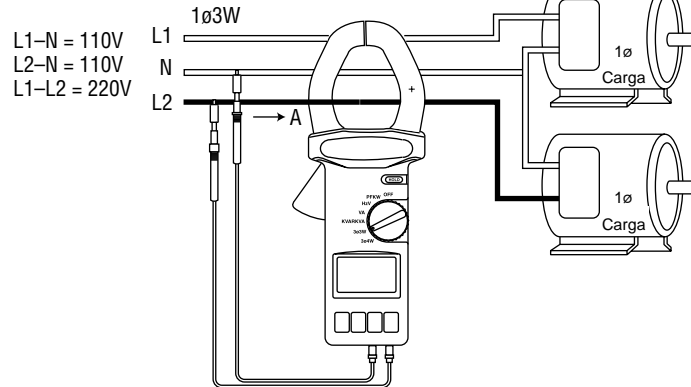
Mediciones en circuitos monofásicos (continuación)

Circuitos monofásicos trifilares: Medición de potencia real, factor de potencia, potencia aparente y potencia reactiva

WL1 (WRS)



WL2 (WTS)





Mediciones en circuitos trifásicos

Las ramas o patas de los circuitos trifásicos comúnmente están marcadas con cualquiera de las siguientes convenciones:

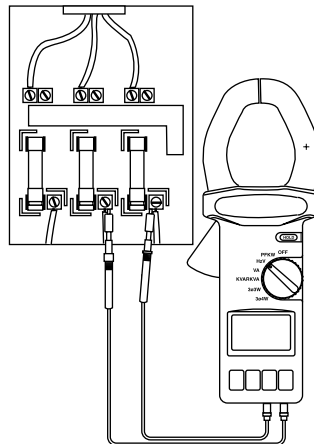
- A, B y C
- L1, L2 y L3
- R, S y T

En este manual y en el medidor se les identifica como R, S y T.

Circuitos trifásicos: Tabla de valores para tensión y frecuencia

Medición	Tipo de Circuito	Colocación del interruptor de sel.	Iconos mostrados	Conexión del cable rojo	Conexión del cable negro	Colocación de la pinza
Tensión o Frecuencia	3ø3W o 3ø4W	Hz V	Hz y V	R, S o T	cualquier otra fase (o neutro en 3ø4W únicamente)	N/A

Circuitos trifásicos: Medición de tensión o frecuencia





Mediciones en circuitos trifásicos (continuación)

Circuitos trifásicos trifilares: Tabla de valores para mediciones de potencia

Medición: Potencia real, factor de potencia*, potencia aparente y potencia reactiva (W, PF, KVA y KVAR)

Tipo de circuito: 3ø3W

Colocación del interruptor de selección: 3ø3W

Instrucciones	Conexión del cable rojo	Conexión del cable negro	Colocación de la pinza
“R” comenzará a parpadear en la pantalla. Oprima “ DCA/W ZERO ”**. Conecte los cables de prueba y coloque la pinza tal como se muestra para efectuar la primera medición (W_{RS} / $KVAR_{RS}$).	R	S	R
Después que la medición se estabilice, oprima “ READ NEXT ”. “T” comenzará a parpadear en la pantalla. Retire la pinza del alambre. Oprima “ DCA/W ZERO ”** y conecte los cables de prueba y coloque la pinza tal como se muestra para efectuar la medición final (W_{TS} / $KVAR_{TS}$).	T	S	T
Después que la medición final se estabilice, oprima “ READ NEXT ”. La unidad CMP-200 calculará y mostrará en la pantalla el factor de potencia (PF) y la potencia real (W). Oprima 3ø KVAR KVA para visualizar la potencia reactiva (KVAR) y la potencia aparente (KVA).			

* Un factor de potencia (PF) positivo (+) indica una carga inductiva. Un factor de potencia (PF) negativo (-), indica una carga capacitiva. El valor del factor de potencia es correcto únicamente para cargas equilibradas.

** La pinza deberá estar cerrada y retirada del circuito siempre que se oprima el botón “DCA/W ZERO”.

Notas:

- El signo + en la pinza debe quedar frente a la fuente de energía.
- La conexión COM (cable de prueba negro) debe permanecer conectada a la misma fase durante ambas mediciones.
- Ambas mediciones de potencia pueden ser positivas, o una puede ser negativa. Asegúrese de que todas las conexiones son correctas a fin de obtener las mediciones adecuadas.

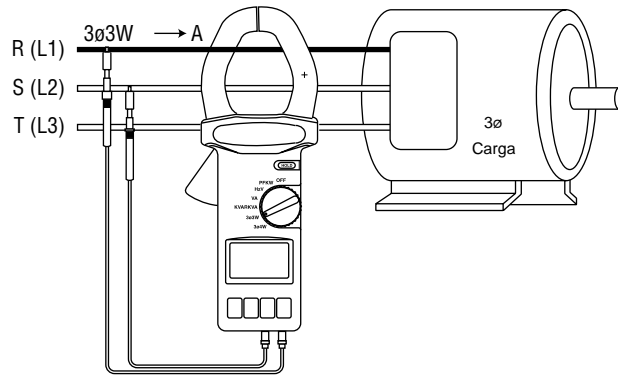


Mediciones en circuitos trifásicos (continuación)

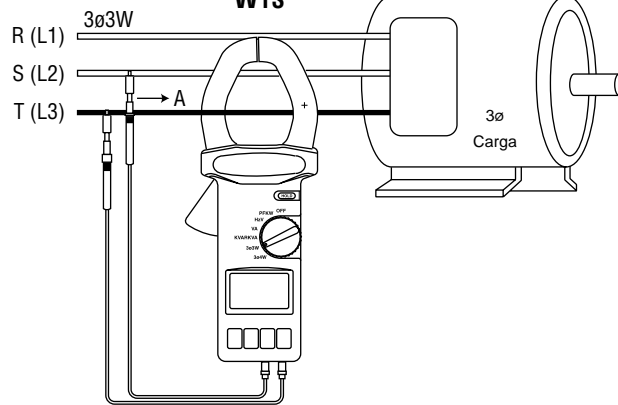
Mediciones en circuitos trifásicos trifilares:

Medición de potencia real, factor de potencia, potencia aparente y potencia reactiva

WRs



WTS





Mediciones en circuitos trifásicos(continuación)

Circuitos trifásicos tetrafilares: Tabla de valores

Medición: Potencia real, factor de potencia*, potencia aparente y potencia reactiva (W, PF, KVA y KVAR) Tipo de circuito: 3ø4W Ajuste del interruptor de selección: 3ø4W			
Instrucciones	Conexión del cable rojo	Conexión del cable negro	Colocación de la pinza
“R” comenzará a parpadear en la pantalla. Oprima “DCA/W ZERO”**. Conecte los cables de prueba y coloque la pinza tal como se muestra para efectuar la primera medición (W_R / PF_R).	R	N	R
Después que la medición se estabilice, oprima “READ NEXT”. “S” comenzará a parpadear en la pantalla. Retire la pinza del alambre. Oprima “DCA/W ZERO”** y conecte los cables de prueba y coloque la pinza tal como se muestra para efectuar la medición final (W_S / PF_S).	S	N	S
Después que la medición se estabilice, oprima “READ NEXT”. “T” comenzará a parpadear en la pantalla. Retire la pinza del alambre. Oprima “DCA/W ZERO”** y conecte los cables de prueba y coloque la pinza tal como se muestra para efectuar la medición final (W_T / PF_T).	T	N	T
Después que la medición final se estabilice, oprima “READ NEXT”. La unidad CMP-200 calculará y mostrará en la pantalla el factor de potencia (PF) y la potencia real (W). Oprima 3ø KVAR KVA para visualizar la potencia reactiva (KVAR) y la potencia aparente (KVA).			

* Un factor de potencia (PF) positivo (+) indica una carga inductiva. Un factor de potencia (PF) negativo (-), indica una carga capacitiva. El valor del factor de potencia es correcto únicamente para cargas equilibradas.

** La pinza deberá estar cerrada y retirada del circuito siempre que se oprima el botón “DCA/W ZERO”.

Notas:

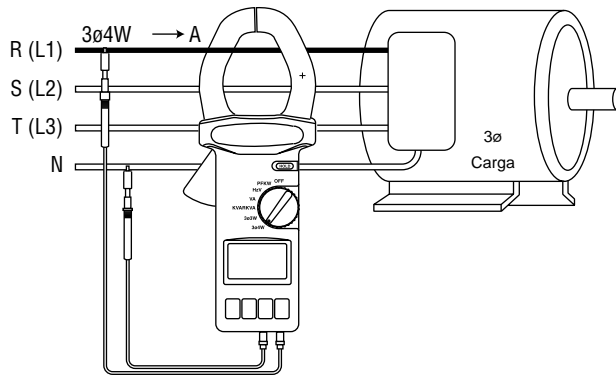
- El signo + en la pinza debe quedar frente a la fuente de energía.
- Las tres mediciones de potencia (W_R , W_S y W_T) deben ser positivas. Si la medición de potencia es negativa, revise la conexión del cable de prueba y el agarre de la pinza.



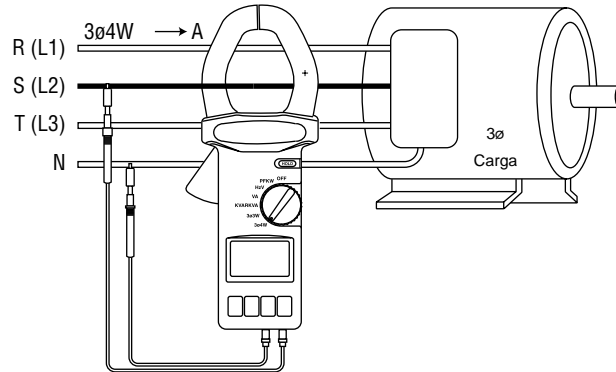
Mediciones en circuitos trifásicos (continuación)

Mediciones en circuitos trifásicos tetrafilares: Medición de potencia real, factor de potencia, potencia aparente y potencia reactiva

WR (L1)



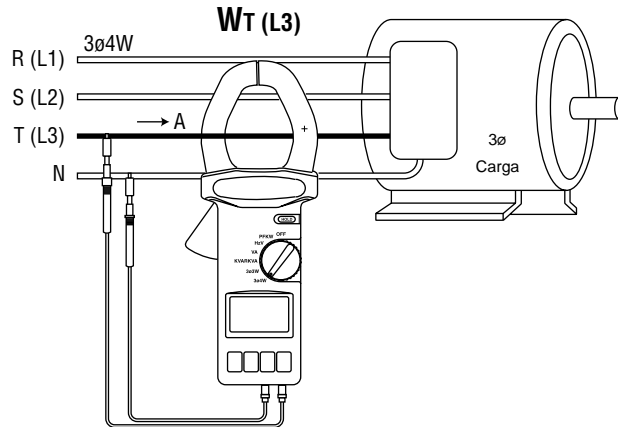
Ws (L2)





CMP-200

Mediciones en circuitos trifásicos (continuación)



Cálculos

Al utilizar las funciones de medición de 3ø3W y 3ø4W del CMP-200, la unidad automáticamente realizará los siguientes cálculos:

Mónofásico

$$W_{1\phi 3W} = W_{L1L2N} = W_{L1N} + W_{L2N}$$

Trifásico trifilar

$$W_{3\phi 3W} = W_{RS} + W_{TS}$$

$$KVAR_{3\phi 3W} = KVAR_{RS} + KVAR_{TS}$$

$$KVA_{3\phi 3W} = \sqrt{[KVA_{3\phi 3W}]^2 - [KVAR_{3\phi 3W}]^2}$$

$$PF_{3\phi 3W} = \frac{KW_{3\phi 3W}}{KVA_{3\phi 3W}}$$

Trifásico tetrafilar

$$W_{3\phi 4W} = W_R + W_S + W_T$$

$$KVAR_{3\phi 4W} = KVAR_R + KVAR_S + KVAR_T$$

$$KVA_{3\phi 4W} = \sqrt{[KVA_{3\phi 4W}]^2 - [KVAR_{3\phi 4W}]^2}$$

$$PF_{3\phi 4W} = \frac{KW_{3\phi 4W}}{KVA_{3\phi 4W}}$$





Precisión

La precisión se especifica de la siguiente manera: \pm (un porcentaje de la lectura + una cantidad fija) a 18°C a 28°C (64,4°F a 82,4°F).

Tabla de precisión

Valor	Escala de medición	Precisión	
**Frecuencia	50/60 Hz	\pm (2 d)*	
	10 Hz a 1000 Hz	\pm (1,5% + 2 d)*	
† Potencia real (CA o CC)	0 a 99,99 KW	\pm (2% + 0,05 KW)	
	100 a 999,9 KW	\pm (2% + 0,5 KW)	
	1000 a 1200 KW	\pm (2% + 5 KW)	
† KVAR (CA o CC)	0 a 99,99 KW	\pm (2% + 0,05 KW)	
	100 a 999,9 KW	\pm (2% + 0,5 KW)	
	1000 a 1200 KW	\pm (2% + 5 KW)	
		a 0 Hz y 50/60 Hz	a 40 Hz a 400 Hz
†† Tensión (CA o CC) a 10 m Ω de Impedancia de entrada	0 a 499,9V	\pm (1,5% + 0,5V)	\pm (2,0% + 0,5V)
	500 a 600V	\pm (1,5% + 5V)	\pm (2,0% + 5V)
†† Corriente (CA o CC)	0 a 199,9 A	\pm (1,5% + 0,5 A)	\pm (2,0% + 0,5 A)
	200 a 499,9 A	\pm (2,0% + 0,5 A)	\pm (2,5% + 0,5 A)
	500 a 2000 A	\pm (2,0% + 5 A)	\pm (2,5% + 5 A)

* d se refiere al dígito menos importante (el número en la posición más a la derecha).

** Sensitividad: Voltios > 1V; Amperios > 5 A

Frecuencia de entrada mínima: 10 Hz

† Máximos: 600V, 2000 Amperios

Factor de potencia: 0,2 a 1,0

†† Precisión especificada para factor de cresta menor de 4



CMP-200

Especificaciones

Pantalla: Dual, de cristal líquido (LCD), de 4 dígitos (resolución máxima de 9999 puntos)

Polaridad: Automática

Frecuencia de muestreo:

Voltios y amperios: 2 por segundo

Vatios: 0,6 por segundo

Máxima abertura de la pinza: 55 mm (2,17 pulg.)

Condiciones de operación: 4°C a 50°C (39,2°F a 122°F), 0 a 85% de humedad relativa

Altura: 2.000 m (6.500 pies) máximo

Condiciones de almacenamiento: -20°C a 60°C (-4°F a 140°F), 0 a 75% de humedad relativa

Retire la pila.

Pila: 9 voltios (NEDA 1604, JIS 006P o IEC 6F22)

Protección de sobretensión: Categoría III, 600 voltios

Limpieza

Periódicamente limpie el estuche con un paño húmedo y detergente suave; no utilice abrasivos o solventes.



Description

Le modèle CMP-200 de Greenlee est un compteur numérique à pinces conçu pour mesurer la puissance véritable (watts), la puissance apparente (voltampères), la puissance réactive (voltampères réactifs) et le facteur de puissance dans les circuits monophasés et triphasés. Il mesure également la tension, le courant et la fréquence.

Sécurité



Lors de l'utilisation et de l'entretien des outils et des équipements de Greenlee, votre sécurité est une priorité. Ce manuel d'instructions et toute étiquette sur l'outil fournit des informations permettant d'éviter des dangers ou des manipulations dangereuses liées à l'utilisation de cet outil. Suivre toutes les consignes de sécurité indiquées.

Dessein

Ce manuel d'instructions est conçu pour que le personnel puisse se familiariser avec le fonctionnement et les procédures d'entretien sûres du modèle CMP-200 de Greenlee.

Mettre ce manuel à la disposition de tous les employés.

On peut obtenir des exemplaires gratuits sur simple demande.

 et  **GREENLEE**® sont des marques déposées de Greenlee Textron.

CONSERVER CE MANUEL



Consignes de sécurité importantes



SYMBOLE D'AVERTISSEMENT

Ce symbole met en garde contre les risques et les manipulations dangereuses pouvant entraîner des blessures ou l'endommagement du matériel. Le mot indicateur, défini ci-dessous, indique la gravité du danger. Le message qui suit le mot indicateur indique comment empêcher le danger.

DANGER

Danger immédiat qui, s'il n'est pas pris en considération ENTRAINERA des blessures graves, voire mortelles.

AVERTISSEMENT

Danger qui, s'il n'est pas pris en considération, POURRAIT entraîner des blessures graves, voire mortelles.

ATTENTION

Dangers ou manipulations dangereuses qui, s'ils ne sont pas pris en considération, POURRAIENT EVENTUELLEMENT entraîner des dommages à la propriété ou causer des blessures.



AVERTISSEMENT

Lire attentivement et bien comprendre cette documentation avant d'utiliser ou de procéder à l'entretien de cet équipement. Négliger de comprendre comment utiliser cet outil en toute sécurité, peut provoquer un accident et entraîner des blessures graves, voire mortelles.



Consignes de sécurité importantes



⚠ AVERTISSEMENT

Risques de décharge électrique :
Un contact avec des circuits sous tension peut entraîner des blessures graves, voire mortelles.

⚠ AVERTISSEMENT

Risques de décharge électrique :

- Ne pas utiliser cet appareil s'il est mouillé ou endommagé.
- Utiliser des fils d'essai ou des accessoires conformes à l'application. Consulter la catégorie et la tension nominale du fil d'essai ou de l'accessoire.
- Vérifier les fils d'essai ou l'accessoire avant de les utiliser. La pièce (ou les pièces) doi(ven)t être propre(s) et sèche(s) et l'isolation en bon état.

L'inobservation de ces consignes peut entraîner des blessures graves, voire mortelles.

⚠ AVERTISSEMENT

Risques de décharge électrique :

- Ne pas appliquer plus que la tension nominale entre deux bornes d'entrée, ou entre une borne d'entrée et une prise de terre.
- Ne pas entrer en contact avec les extrémités des fils d'essai ou avec toute autre partie non isolée de l'accessoire.

L'inobservation de ces consignes peut entraîner des blessures graves, voire mortelles.



CMP-200

Consignes de sécurité importantes

▲AVERTISSEMENT

- Ne pas utiliser lorsque le boîtier est ouvert.
- Avant d'ouvrir le boîtier, retirer les fils d'essai (ou la pince) du circuit et mettre l'appareil hors tension.

L'inobservation de ces consignes peut entraîner des blessures graves, voire mortelles.

▲ATTENTION

Ne pas modifier la fonction de mesure pendant que les fils d'essai sont connectés à un composant ou à un circuit.

L'inobservation de cette consigne peut endommager l'appareil et entraîner des blessures.

▲ATTENTION

- Ne pas tenter de réparer cet appareil. Il ne comporte aucune pièce pouvant être réparée.
- Ne pas exposer l'appareil à des températures ou à une humidité extrêmes. Voir les spécifications.

L'inobservation de ces consignes peut endommager l'appareil et entraîner des blessures.

IMPORTANT

L'utilisation de cet appareil à proximité d'équipements qui génèrent des interférences électromagnétiques peut produire des lectures instables ou erronées.

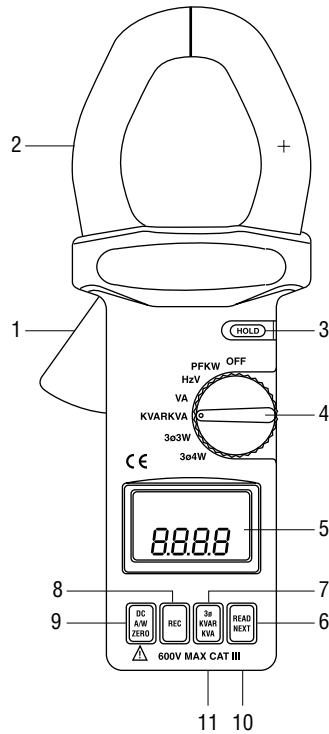


Glossaire

PF	Facteur de puissance
Ø	Phase
W	Câble
W	Watts (Puissance véritable)
VA	Voltampères (Puissance apparente)
VAR	Voltampères réactifs (Puissance réactive)


Identification

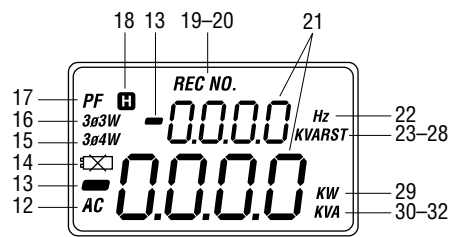
1. Levier
2. Pince
3. Bouton de maintien
4. Sélecteur
5. Affichage
6. Bouton READ NEXT
7. Bouton 3Ø KVAR KVA
8. Bouton REC
9. Bouton DC A/W ZERO
10. Borne +
11. Borne COM





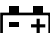


Icônes de l'afficheur

- 12. AC Courant alternatif
- 13. - Indicateur de polarité
- 14.  Pile faible ou déchargée
- 15. 3Ø4W Circuits triphasés à quatre câbles
- 16. 3Ø3W Circuits triphasés à trois câbles
- 17. PF Facteur de puissance
- 18. H Maintien
- 19. REC Indique que les données sont enregistrées dans la mémoire.
- 20. REC NO. Indique que les données enregistrées apparaissent sur l'afficheur (1, 2, 3 ou 4)
- 21. 0.0.0.0 Affichage numérique
- 22. Hz Fréquence (en Hertz ou cycles par seconde)
- 23. K Kilo (10³)
- 24. V Volts
- 25. A Ampères
- 26. R Première phase
- 27. S Seconde phase
- 28. T Troisième phase
- 29. KW Kilowatt
- 30. K Kilo (10³)
- 31. V Volts
- 32. A Ampères
- OL Surcharge (non illustrée)



Symboles apparaissant sur l'appareil

-  Lire le manuel d'instructions.
-  Isolation double
-  Pile



Utilisation des fonctions

- **HOLD** Appuyer quelques secondes pour maintenir la valeur en cours sur l'afficheur et l'enregistrer en mémoire. Appuyer de nouveau pour sortir de ce mode.
- **Bouton DC A/W ZERO** Règle le compteur à zéro pour supprimer les effets du magnétisme résiduel lors de la mesure du courant c.c., de la puissance et du facteur de puissance.
- **Bouton REC** Appuyer pour enregistrer les données dans la mémoire, le CMP-200 possède quatre emplacements de mémoire. FULL indique que tous les emplacements de mémoire sont utilisés. Fermer le compteur pour vider toutes les mémoires.
- **3Ø KVAR KVA** Une fois que la fonction 3Ø3W ou 3Ø4W a terminé les calculs, appuyer sur ce bouton pour alterner entre l'affichage du facteur de puissance (PF)/puissance véritable (W) et l'affichage de la puissance réactive (VAR)/puissance apparente (VA).
- **Bouton READ NEXT** Lors de la mesure du courant et de la tension à partir des circuits 3Ø3W ou 3Ø4W, utiliser ce bouton pour enregistrer les données et effectuer les calculs.

Lors de la mesure de toute autre grandeur, utiliser ce bouton pour rappeler les données enregistrées dans les quatre emplacements de mémoire. REC NO. 1 apparaîtra momentanément sur l'afficheur, suivi par la valeur enregistrée dans la première mémoire. Placer le sélecteur sur n'importe quelle position pour quitter le mode READ.



Mesure du c.a.

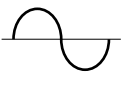
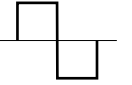
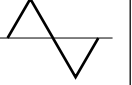

En règle générale, les mesures du c.a. sont affichées en valeurs RMS (*moyenne quadratique*). Les deux méthodes de mesure du c.a. sont *calibrées pour une réponse RMS moyennée pour une lecture RMS véritable*.

La méthode calibrée pour une réponse RMS moyenne prend la valeur moyenne du signal d'entrée, la multiplie par 1,11 et affiche le résultat. Cette méthode est précise dans la mesure où le signal d'entrée est une onde sinusoïdale pure.

La méthode de lecture RMS véritable utilise les circuits internes pour lire la valeur RMS véritable. Cette méthode est précise dans les limites du facteur de crête spécifiées, que le signal soit une onde pure, une onde carrée, une onde en dent de scie, une demi-onde ou un signal comportant des harmoniques. La capacité de lire le RMS véritable rend la mesure beaucoup plus polyvalente. Le compteur CMP-200 de Greenlee lit la valeur RMS véritable.

Le tableau des formes d'ondes et des facteurs de crête montre quelques signaux c.a. types et leurs valeurs RMS.

Formes d'ondes et facteurs de crêtes

Forme d'onde				
Valeur RMS	100	100	100	100
Valeur moyenne	90	100	87	64
Facteur de crête* (ξ)	1,414	1	1,73	2

* Le facteur de crête correspond au ratio de la valeur de crête par rapport à la valeur RMS ; il est représenté par la lettre grecque ξ .





Utilisation

	⚠ AVERTISSEMENT
	Risques de décharge électrique : Un contact avec des circuits sous tension peut entraîner des blessures graves, voire mortelles.

- Se reporter aux tableaux des réglages. Régler le sélecteur au réglage approprié et connecter les fils d'essai à l'appareil.
- Se reporter à la section appropriée pour obtenir des instructions de mesure spécifiques et des illustrations.
- Vérifier l'appareil sur un circuit ou sur un composant connu.
 - Si l'appareil ne fonctionne pas comme prévu sur un circuit dont le fonctionnement est connu, remplacer la pile et/ou le fusible.
 - Si l'appareil ne fonctionne toujours pas comme prévu, le renvoyer à Greenlee pour qu'il soit réparé.
- Lire le circuit ou le composant à vérifier.

Mesures sur les circuits monophasés

Circuits monophasés à deux câbles : Tableau des réglages

Mesure	Réglage du sélecteur	Icônes affichés	Connexion du fil rouge	Connexion du fil noir	Emplacement de la pince
Tension ou Fréquence	Hz V	Hz et V	chaud ou neutre	chaud ou neutre	S/O
Watts et Facteur de puissance* (W et PF)	PF KW et appuyer sur DCA/W ZERO	PF et KW	chaud	neutre	chaud
Puissance apparente et réactive (KVA et KVAR)	KVAR KVA et appuyer sur DCA/W ZERO	KVAR et KVA	chaud	neutre	chaud
Courant ou tension	VA	V et A	chaud	neutre	chaud

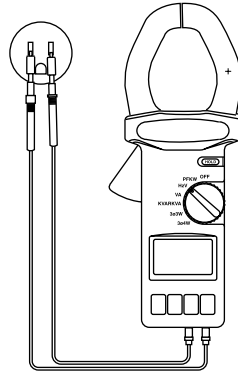
* Un PF positif (+) indique une charge inductive. Un PF négatif (-) indique une charge capacitive. Si le PF est supérieur à 0,91 (un déphasage de moins de 25°), régler le sélecteur sur 3Ø3W pour une lecture plus précise de KVA et KVAR.



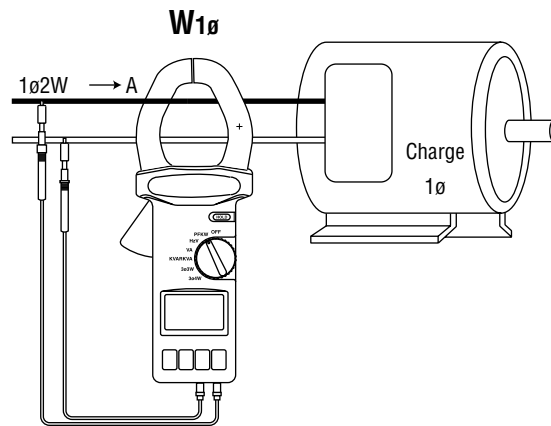
CMP-200

Mesures sur les circuits monophasés (suite)

Circuits monophasés à deux câbles :
Mesure de la tension ou de la fréquence



Circuits monophasés à deux câbles : Mesure de la puissance véritable, du facteur de puissance, de la puissance apparente et de la puissance réactive ou mesure du courant et de la tension





Mesures sur les circuits monophasés (suite)

Circuits monophasés à trois câbles : Tableau des réglages

Mesure : Puissance véritable, Facteur de puissance*, Puissance apparente et Puissance réactive (W, PF, KVA, KVAR)

Type de circuit : 1ø3W

Réglage du sélecteur : 3ø3W

Instructions	Connexion du fil rouge	Connexion du fil noir	Emplacement de la pince
« R » clignote sur l'afficheur. Appuyer sur DCA/W ZERO** . Connecter les fils et placer la pince tel qu'illustré pour prendre la première mesure (W_{RS} / $KVAR_{RS}$).	L1	Neutre	L1
Une fois que la mesure est stable, appuyer sur READ NEXT . « T » clignote sur l'afficheur. Retirer la pince du câble. Appuyer sur DCA/W ZERO** et connecter les fils et placer la pince tel qu'illustré pour prendre la dernière mesure (W_{TS} / $KVAR_{TS}$).	L2	Neutre	L2

Une fois que la mesure définitive est stable, appuyer sur **READ NEXT**. Le CMP-200 calcule et affiche le facteur de puissance (PF) et la puissance véritable (W). Appuyer sur **3ø KVAR KVA** pour afficher la puissance réactive (KVAR) et la puissance apparente (KVA).

* Un PF positif (+) indique une charge inductive. Un PF négatif (-) indique une charge capacitive. La valeur du facteur de puissance est correcte seulement pour les charges équilibrées.

** La pince doit être fermée et retirée du circuit lorsqu'on appuie sur DCA/W ZERO.

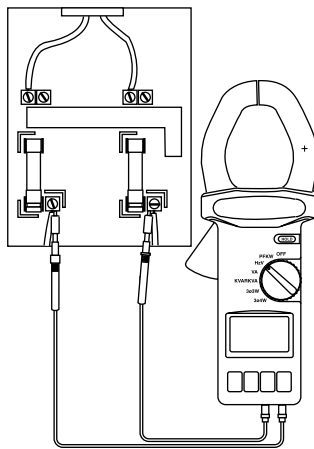
Remarque : Le symbole + sur la pince doit être en face de la source d'alimentation.



CMP-200

Mesures sur les circuits monophasés (suite)

Circuits monophasés à trois câbles : Mesure de la tension ou de la fréquence



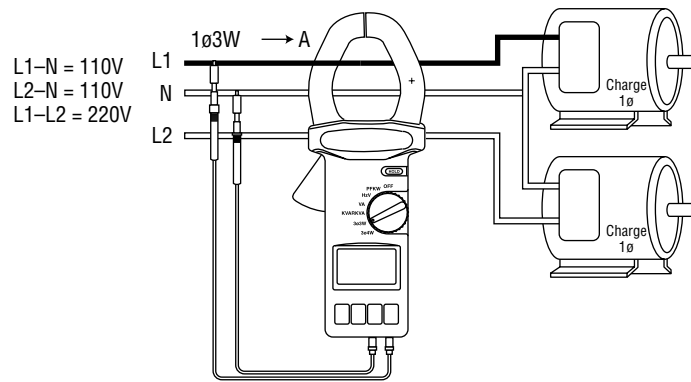


Mesures sur les circuits monophasés (suite)

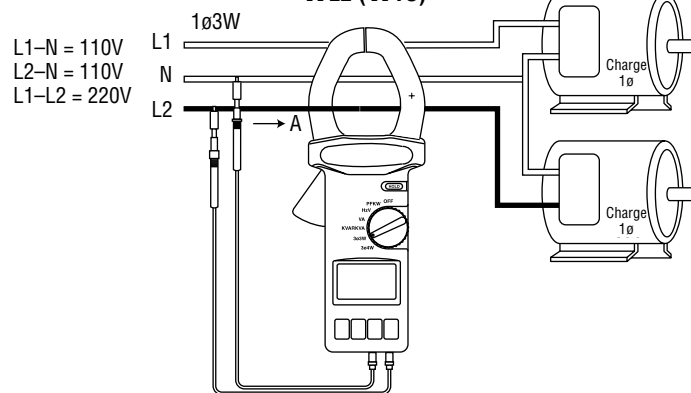
Circuits monophasés à trois câbles :

Mesure de la puissance véritable, du facteur de puissance, de la puissance apparente et de la puissance réactive

WL1 (WRs)



WL2 (WTs)





CMP-200

Mesures sur les circuits triphasés

Les branches ou pattes des circuits électriques triphasés sont généralement identifiées selon les conventions suivantes :

- A, B et C
- L1, L2 et L3
- R, S et T

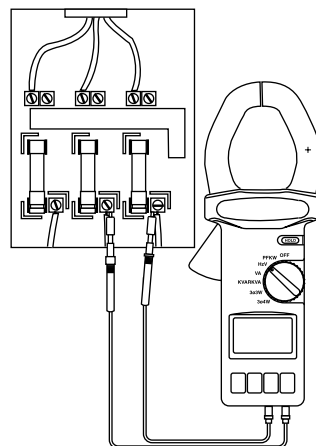
Elles sont identifiées par les lettres R, S et T dans ce manuel et sur le compteur.

Circuits triphasés : Tableau des réglages pour la tension et la fréquence

Mesure	Type de circuit	Réglage sélecteur	Icônes affichés	Connexion du fil rouge	Connexion du fil noir	Emplacement de la pince
Tension ou Fréquence	3ø3W ou 3ø4W	Hz V	Hz et V	R, S ou T	toute autre phase (ou neutre sur 3ø4W seulement)	S/O



Circuits triphasés : Mesure de la tension ou de la fréquence





Mesures sur les circuits triphasés (suite)

Circuits triphasés à trois câbles : Tableau de réglages pour les mesures de la puissance

Mesure : Puissance véritable, Facteur de puissance*, Puissance apparente et Puissance réactive (W, PF, KVA et KVAR)

Type de circuit : 3Ø3W

Réglage du sélecteur : 3Ø3W

Instructions	Connexion du fil rouge	Connexion du fil noir	Emplacement de la pince
« R » clignote sur l'afficheur. Appuyer sur DCA/W ZERO** . Connecter les fils et placer la pince tel qu'illustré pour prendre la première mesure ($W_{RS} / KVAR_{RS}$).	R	S	R
Une fois que la mesure est stable, appuyer sur READ NEXT . « T » clignote sur l'afficheur. Retirer la pince du câble. Appuyer sur DCA/W ZERO** et connecter les fils et placer la pince tel qu'illustré pour prendre la mesure définitive ($W_{TS} / KVAR_{TS}$).	T	S	T

Une fois que la mesure définitive est stable, appuyer sur **READ NEXT**. Le CMP-200 calcule et affiche le facteur de puissance (PF) et la puissance véritable (W). Appuyer sur **3Ø KVAR KVA** pour afficher la puissance réactive (KVAR) et la puissance apparente (KVA).

* Un PF positif (+) indique une charge inductive. Un PF négatif (-) indique une charge capacitive. La valeur du facteur de puissance est correcte pour les charges équilibrées seulement.

** La pince doit être fermée et retirée du circuit lorsqu'on appuie sur DCA/W ZERO.

Remarques :

- Le symbole + sur la pince doit être en face de la source d'alimentation.
- La connexion COM (fil noir) doit rester connectée à la même phase pendant les deux mesures.
- Les deux mesures de puissance peuvent être positives ou l'une d'entre elles peut être négative. S'assurer que toutes les connexions sont correctes afin d'obtenir les bonnes mesures.



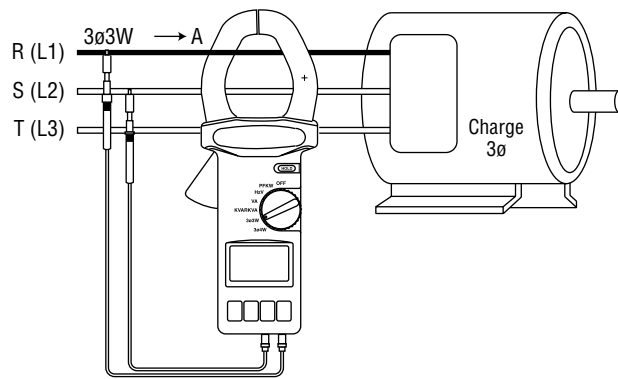
CMP-200

Mesures sur les circuits triphasés (suite)

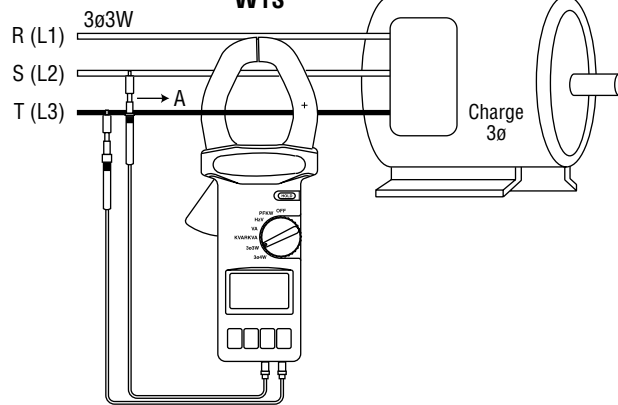
Mesures des circuits triphasés à trois câbles :

Mesure de la puissance véritable, du facteur de puissance, de la puissance apparente et de la puissance réactive

W_{RS}



W_{TS}





Mesures sur les circuits triphasés (suite)

Circuits triphasés à quatre câbles : Tableau des réglages

Mesure : Puissance véritable, Facteur de puissance*, Puissance apparente et Puissance réactive (W, PF, KVA et KVAR) Type de circuit : 3ø4W Réglage du sélecteur : 3ø4W			
Instructions	Connexion du fil rouge	Connexion du fil noir	Emplacement de la pince
« R » clignote sur l'afficheur. Appuyer sur DCA/W ZERO** . Connecter les fils et placer la pince tel qu'illustré pour prendre la première mesure (W_R / PF_R).	R	N	R
Une fois que la mesure est stable, appuyer sur READ NEXT . « S » clignote sur l'afficheur. Retirer la pince du câble. Appuyer sur DCA/W ZERO** et connecter les fils et placer la pince tel qu'illustré pour prendre la mesure définitive (W_S / PF_S).	S	N	S
Une fois que la mesure est stable, appuyer sur READ NEXT . « T » clignote sur l'afficheur. Retirer la pince du câble. Appuyer sur DCA/W ZERO** et connecter les fils et placer la pince tel qu'illustré pour prendre la mesure définitive (W_T / PF_T).	T	N	T
Une fois que la mesure définitive est stable, appuyer sur READ NEXT . Le CMP-200 calcule et affiche le facteur de puissance (PF) et la puissance véritable (W). Appuyer sur 3ø KVAR KVA pour afficher la puissance réactive (KVAR) et la puissance apparente (KVA).			

* Un PF positif (+) indique une charge inductive. Un PF négatif (-) indique une charge capacitive. La valeur du facteur de puissance est correcte pour les charges équilibrées seulement.

** La pince doit être fermée et retirée du circuit lorsqu'on appuie sur DCA/W ZERO.

Remarques :

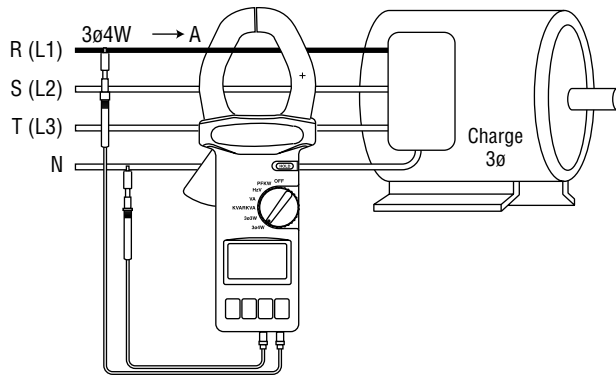
- Le symbole + sur la pince doit être en face de la source d'alimentation.
- Les trois mesures de puissance (W_R , W_S et W_T) doivent être positives. Vérifier la connexion du fil d'essai et le serrement de la pince si l'une des mesures de puissance est négative.



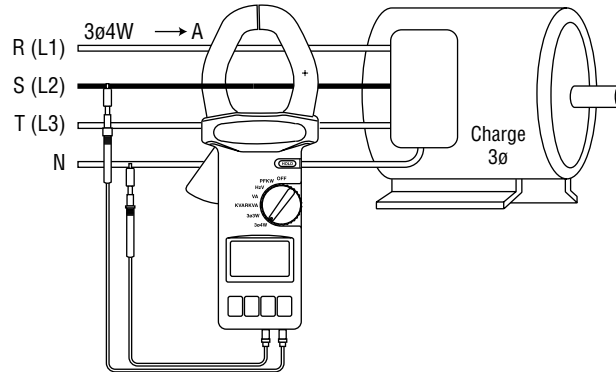
Mesures sur les circuits triphasés (suite)

Mesures des circuits triphasés à quatre câbles : Mesure de la puissance véritable, du facteur de puissance, de la puissance apparente et de la puissance réactive

WR (L1)

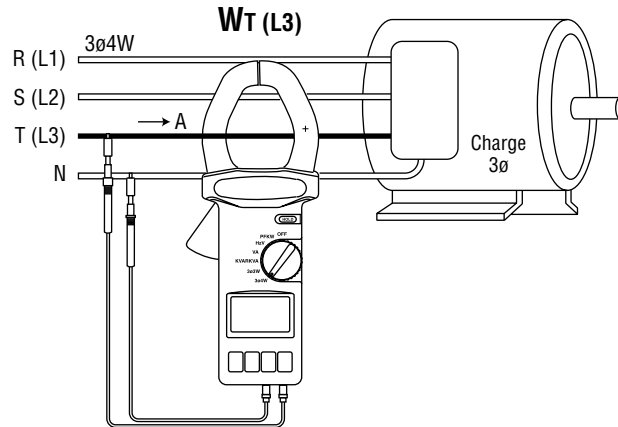


Ws (L2)





Mesures sur les circuits triphasés (suite)



Calculs

Lors de l'utilisation des fonctions 3ø3W et 3ø4W du CMP-200, l'appareil effectue automatiquement les calculs suivants :

Circuits monophasés

$$W_{1ø3W} = W_{L1L2N} = W_{L1N} + W_{L2N}$$

Circuits triphasés à trois câbles

$$W_{3ø3W} = W_{RS} + W_{TS}$$

$$KVAR_{3ø3W} = KVAR_{RS} + KVAR_{TS}$$

$$KVA_{3ø3W} = \sqrt{[KW_{3ø3W}]^2 + [KVAR_{3ø3W}]^2}$$

$$PF_{3ø3W} = \frac{KW_{3ø3W}}{KVA_{3ø3W}}$$

Circuits triphasés à quatre câbles

$$W_{3ø4W} = W_R + W_S + W_T$$

$$KVAR_{3ø4W} = KVAR_R + KVAR_S + KVAR_T$$

$$KVA_{3ø4W} = \sqrt{[KW_{3ø4W}]^2 + [KVAR_{3ø4W}]^2}$$

$$PF_{3ø4W} = \frac{KW_{3ø4W}}{KVA_{3ø4W}}$$



Précision

La précision est spécifiée comme suit : \pm (un pourcentage de la lecture + une quantité fixe) de 18 à 28 °C (64,4 à 82,4 °F)

Tableau de précision

Valeur	Plage de mesure	Précision	
**Fréquence	50/60 Hz	$\pm (2 \text{ d})^*$	
	10 à 1 000 Hz	$\pm (1,5 \% + 2 \text{ d})^*$	
†Puissance véritable (c.a. ou c.c.)	0 à 99,99 KW	$\pm (2 \% + 0,05 \text{ KW})$	
	100 à 999,9 KW	$\pm (2 \% + 0,5 \text{ KW})$	
	1 000 à 1 200 KW	$\pm (2 \% + 5 \text{ KW})$	
†KVAR (c.a. ou c.c.)	0 à 99,99 KW	$\pm (2 \% + 0,05 \text{ KW})$	
	100 à 999,9 KW	$\pm (2 \% + 0,5 \text{ KW})$	
	1 000 à 1 200 KW	$\pm (2 \% + 5 \text{ KW})$	
		à 0 Hz et 50/60 Hz	de 40 à 400 Hz
††Tension (c.a. ou c.c.) à une impédance d'entrée de 10 mΩ	0 à 499,9 V	$\pm (1,5 \% + 0,5 \text{ V})$	$\pm (2,0 \% + 0,5 \text{ V})$
	500 à 600 V	$\pm (1,5 \% + 5 \text{ V})$	$\pm (2,0 \% + 5 \text{ V})$
††Courant (c.a. ou c.c.)	0 à 199,9 A	$\pm (1,5 \% + 0,5 \text{ A})$	$\pm (2,0 \% + 0,5 \text{ A})$
	200 à 499,9 A	$\pm (2,0 \% + 0,5 \text{ A})$	$\pm (2,5 \% + 0,5 \text{ A})$
	500 à 2 000 A	$\pm (2,0 \% + 5 \text{ A})$	$\pm (2,5 \% + 5 \text{ A})$

* d renvoie au chiffre le moins important (celui le plus à droite)

** Sensibilité : Volts > 1 V ; Ampères > 5 A

Fréquence d'entrée minimale : 10 Hz

† Maximums : 600 V, 2 000 A

Facteur de puissance : 0,2 à 1,0

†† Précision spécifiée pour un facteur de crête inférieur à 4



Spécifications

Affichage : Affichage double 4 chiffres sur DEL (compte maximum de 9 999)

Polarité : Automatique

Taux d'échantillonnage :

Volts et ampères : 2 par seconde

Watts : 0,6 par seconde

Ouverture de la pince : 55 mm (2,17 po)

Conditions d'utilisation : 4 à 50 °C (39,2 à 122 °F), 0 à 85 % d'humidité relative

Altitude : 2 000 m (6 500 pi) maximum

Conditions d'entreposage : -20 à 60 °C (-4 à 140 °F), 0 à 75 % d'humidité relative

Enlever la pile.

Pile : pile de 9 volts (NEDA 1604, JIS 006P ou IEC 6LF22)

Protection contre les surtensions : Catégorie III, 600 volts

Nettoyage

Nettoyer régulièrement le boîtier avec un chiffon humide et un détergent doux. Ne pas utiliser de produits abrasifs ou de solvants.



_____ **CMP-200**





Greenlee Textron / Subsidiary of Textron Inc.

4455 Boeing Dr., Rockford, IL 61109-2988 815/397-7070





Greenlee Textron / Subsidiary of Textron Inc.

4455 Boeing Dr., Rockford, IL 61109-2988 815/397-7070





Lifetime Limited Warranty

Greenlee warrants to the original purchaser of these goods for use that these products will be free from defects in workmanship and material for their useful life, excepting normal wear and abuse. This warranty is subject to the same terms and conditions contained in Greenlee's standard one-year limited warranty.

For all Test Instrument repairs, ship units Freight Prepaid to:
Greenlee Textron, 4411 Boeing Drive, Rockford, IL 61109-2932 USA.

Mark all packages: Attention TEST INSTRUMENT REPAIR. For items not covered under warranty (such as dropped, abused, etc.), repair cost quote available upon request.

Note: Prior to returning any test instrument, please check replaceable batteries or make sure the battery is at full charge.

Garantía limitada de por vida

Greenlee garantiza al comprador original de estos productos para su uso que estos productos estarán libres de defectos de mano de obra y materiales durante toda su vida útil, exceptuando el desgaste normal y el abuso. Esta garantía está sujeta a los mismos términos y condiciones contenidos en la garantía estándar limitada de Greenlee de un año de duración.

Para reparación de instrumentos de verificación, envíe las unidades con flete pagado a:
Greenlee Textron, 4411 Boeing Drive, Rockford, IL 61109-2932 EE. UU.

Marque todos los paquetes: Atención TEST INSTRUMENT REPAIR (Reparación de instrumentos de verificación). Para artículos no cubiertos por la garantía (tales como los que se han dejado caer o han sido maltratados, etc.) se puede cotizar el costo de la reparación a pedido.

Nota: Antes de enviar cualquier instrumento de verificación, revise por favor las pilas o asegúrese de que estén totalmente cargadas.

Garantie à vie limitée

La société Greenlee garantit à l'acheteur d'origine de ces produits que ces derniers ne comportent aucun défaut d'exécution ou de matériau pour la durée de leur vie utile, sauf l'usure normale. Cette garantie est assujettie aux mêmes conditions que celles contenues dans les modalités et conditions de la garantie limitée standard d'un an de Greenlee.

Pour toutes les réparations d'instruments de mesure, expédiez l'appareil en port payé à l'adresse suivante :
Greenlee Textron, 4411 Boeing Drive, Rockford, IL 61109-2932, États-Unis.

Sur tous les colis, inscrivez : Attention : TEST INSTRUMENT REPAIR (Réparation d'instrument de mesure). Lorsque les articles ne sont pas protégés par une garantie (comme si l'appareil est échappé, s'il est soumis à un usage abusif, etc.), une soumission pour le prix de réparation sera présentée sur demande.

Remarque : Avant de renvoyer un appareil de mesure, vérifiez la pile et assurez-vous qu'elle est chargée au complet.

For technical assistance: 800/435-0786

GREENLEE TEXTRON

Greenlee Textron / Subsidiary of Textron Inc.

4455 Boeing Drive, Rockford, IL 61109-2988 USA

Technical / Customer Service (International): 815/397-7070 • Fax: 815/397-9247

Customer Service (North America): 800/435-0786 • Fax: 800/451-2632, 815/397-1865

Canada Fax: 800/524-2853

