

Customer Information Sheet

DRAWING No.: R44-100XX02

SHEET 2 OF 2

IF IN DOUBT - ASK

(C)

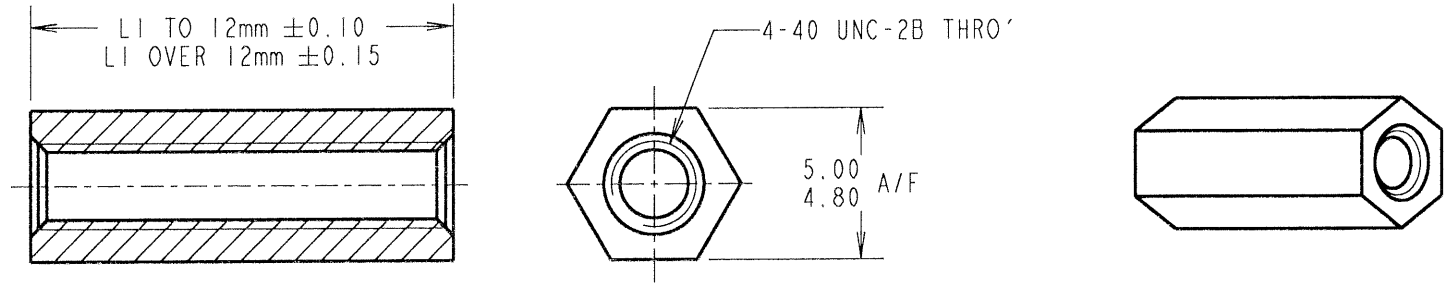
NOT TO SCALE

THIRD ANGLE PROJECTION

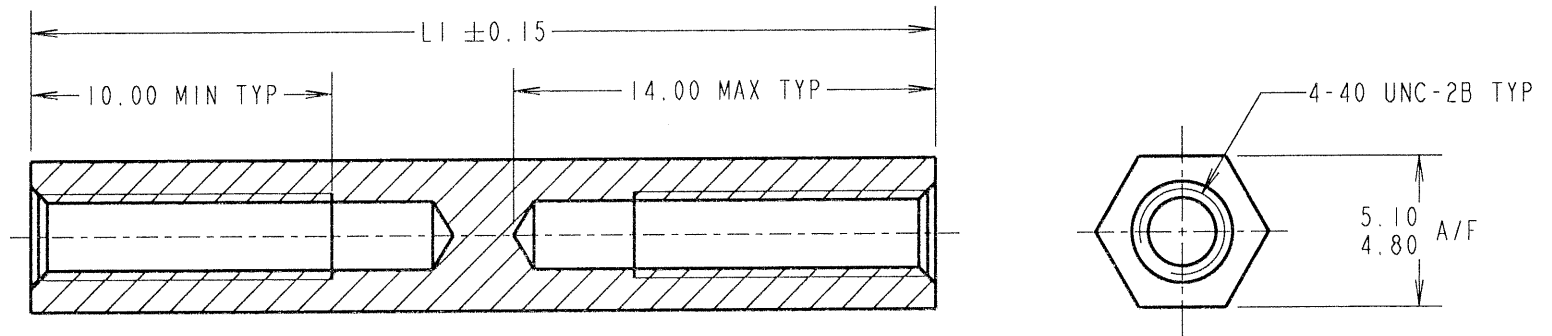
ALL DIMENSIONS IN mm

ALL SPACERS UP TO
& INCLUDING 28mm

22 TO 28mm SPACERS DO NOT HAVE
A THROUGH TAPPED HOLE, BUT
HAVE A MINIMUM THREAD LENGTH
OF 10mm FROM BOTH ENDS.



ALL SPACERS
OVER 28mm



PART No.	LI
R44-1000602	6.00
R44-1000902	9.00
R44-1001002	10.00
R44-1001202	12.00
R44-1001302	13.00

PART No.	LI
R44-1001502	15.00
R44-1001602	16.00
R44-1001902	19.00
R44-1002202	22.00
R44-1002302	23.00

PART No.	LI
R44-1002502	25.00
R44-1003002	30.00
R44-1003502	35.00
R44-1004502	45.00
R44-1005002	50.00

ORDER CODE:
R44-100XX02
LENGTH LI IN mm

JMB	2	15.10.06	9512
NAME	ISS.	DATE	C/NOTE
APPROVED: <i>JMB</i>			
CHECKED: <i>[Signature]</i>			
DRAWN: WJ BOURNE		CUSTOMER REF.:	
ASSEMBLY DRG:			

HARWIN

THIS DRAWING AND ANY
INFORMATION OR DESCRIPTIVE
MATTER SET OUT HEREON ARE
CONFIDENTIAL AND COPYRIGHT
PROPERTY OF THE HARWIN
GROUP AND MUST NOT BE
DISCLOSED, LOANED, COPIED
OR USED FOR MANUFACTURING,
TENDERING OR FOR ANY
OTHER PURPOSE WITHOUT
THEIR WRITTEN PERMISSION.

TOLERANCES
X. = ±1mm
X.X = ±0.25mm
X.XX = ±0.10mm
X.XXX = ±0.01mm
ANGLES = ±5°
UNLESS STATED

MATERIAL:
BRASS
CW614N M TO BS EN 12164
(CuZn39Pb3)
FINISH: NICKEL
S/AREA: mm²

TITLE:
4-40 UNC HEXAGONAL
FEMALE SPACER

DRAWING NUMBER:
R44-100XX02

SHT
2 OF 2

HARWIN INC
U.S.A.
TEL: (812) 542 2540
FAX: (812) 542 2541

HARWIN PLC
U.K.
TEL: 023 9231 4545
FAX: 023 9231 4590

HARWIN PTE
SINGAPORE
TEL: 65 6779 4909
FAX: 65 6779 3868