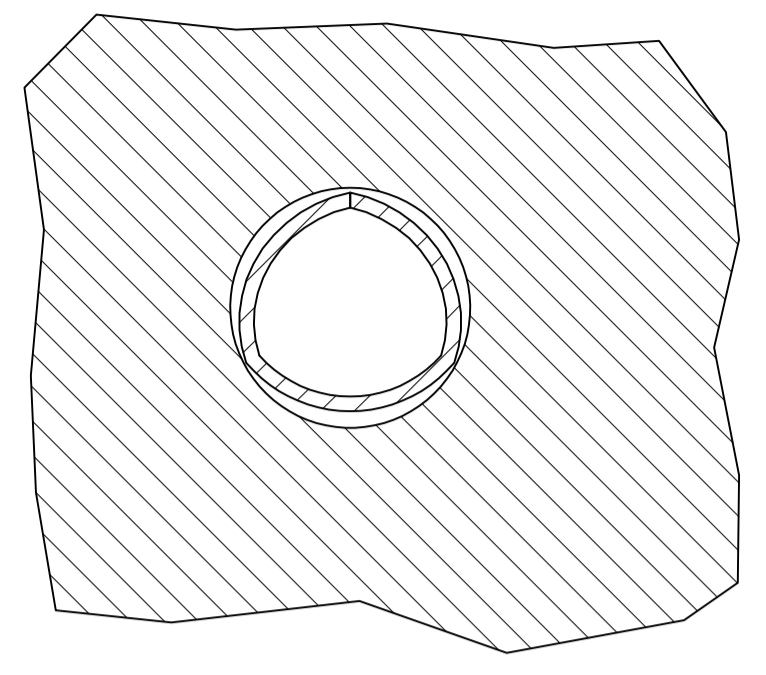
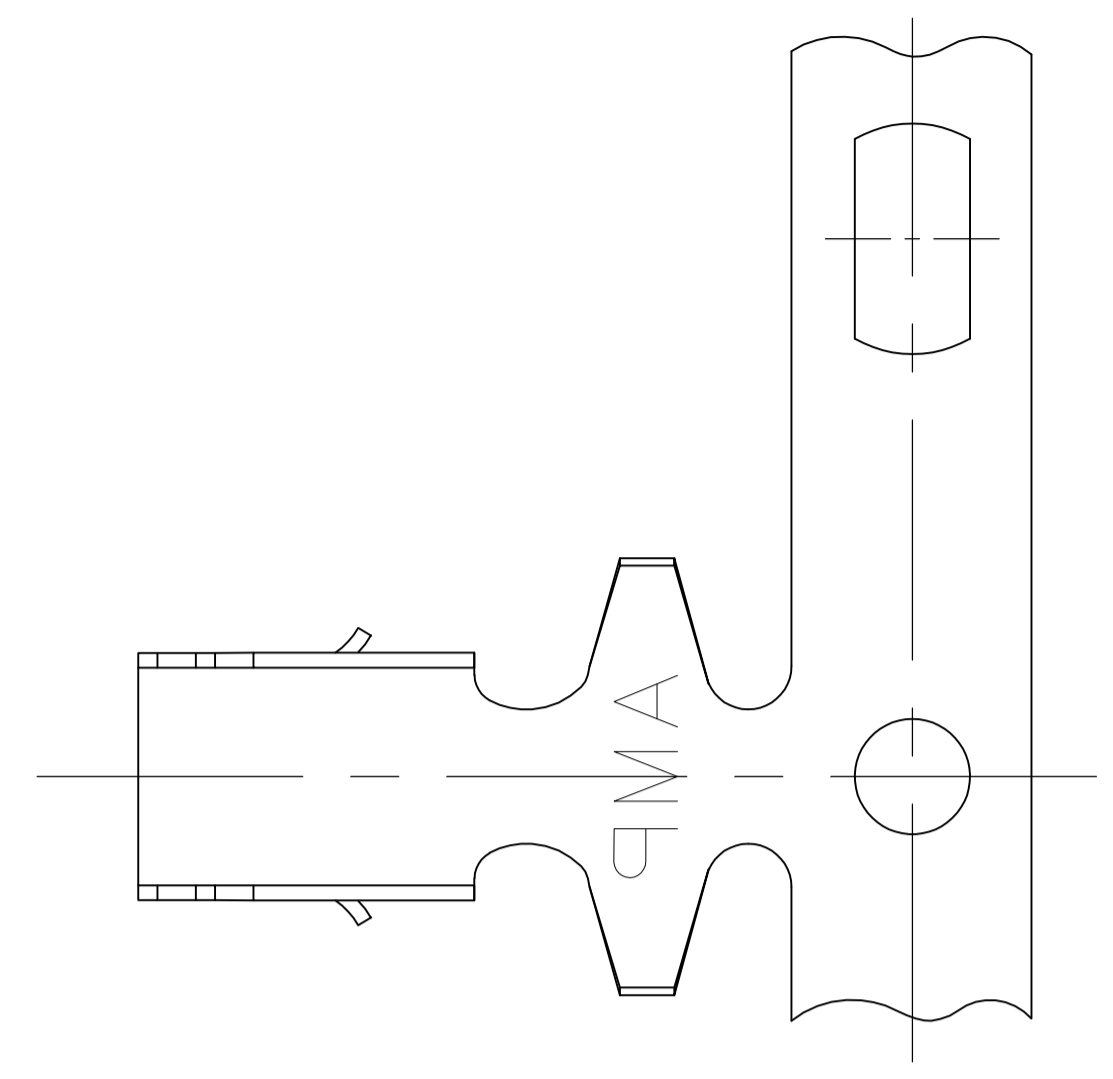
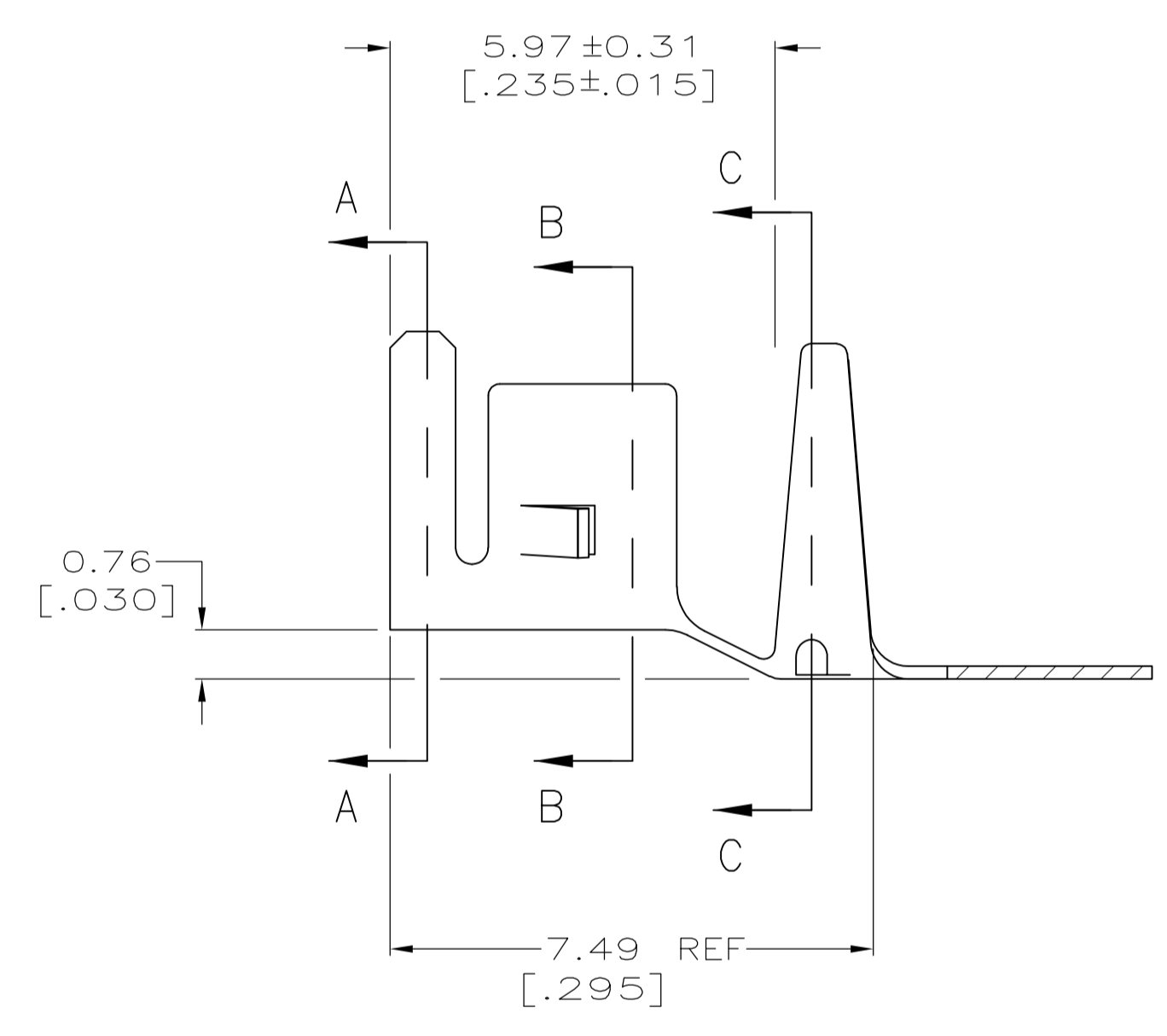


LOC		DIST		REVISIONS			
CM	00	REV	DATE	BY	CHKD	APVD	
C3		REVISED PER ECO-12-014997	23AUG12	KH	SM		

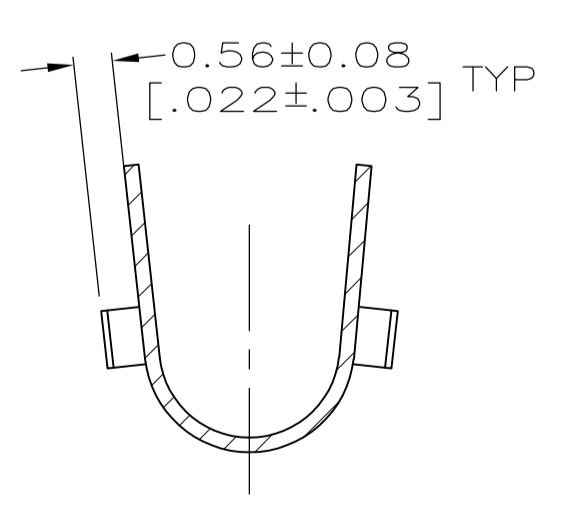
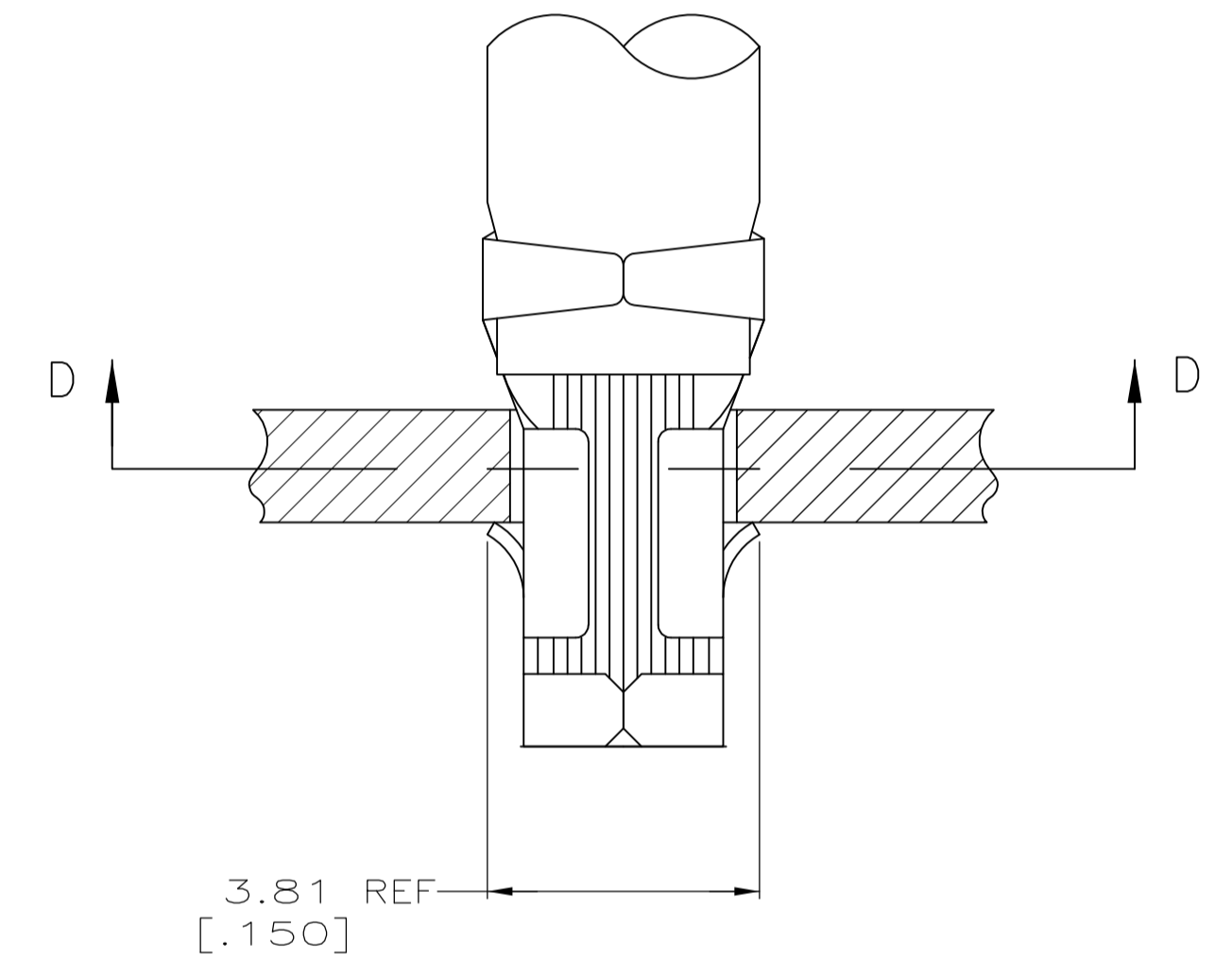
- 1 PARTS COMPLY WITH AMP SOLDERABILITY SPEC 109-11-3.
- 2 WIRE RANGE: 3-5.5 mm² [12-10 AWG].
- 3 INSULATION DIAMETER: 5.08 [.200] MAX.
- 4 DIMENSIONS IN BRACKETS ARE IN INCHES.
- 5 0.00508 [.000200] MIN BRIGHT TIN-LEAD.
- 6 0.00508 [.000200] MIN HALT TIN.



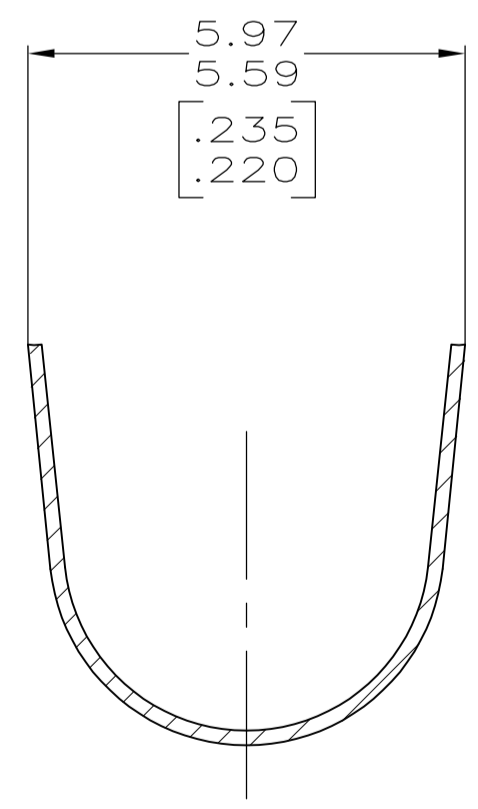
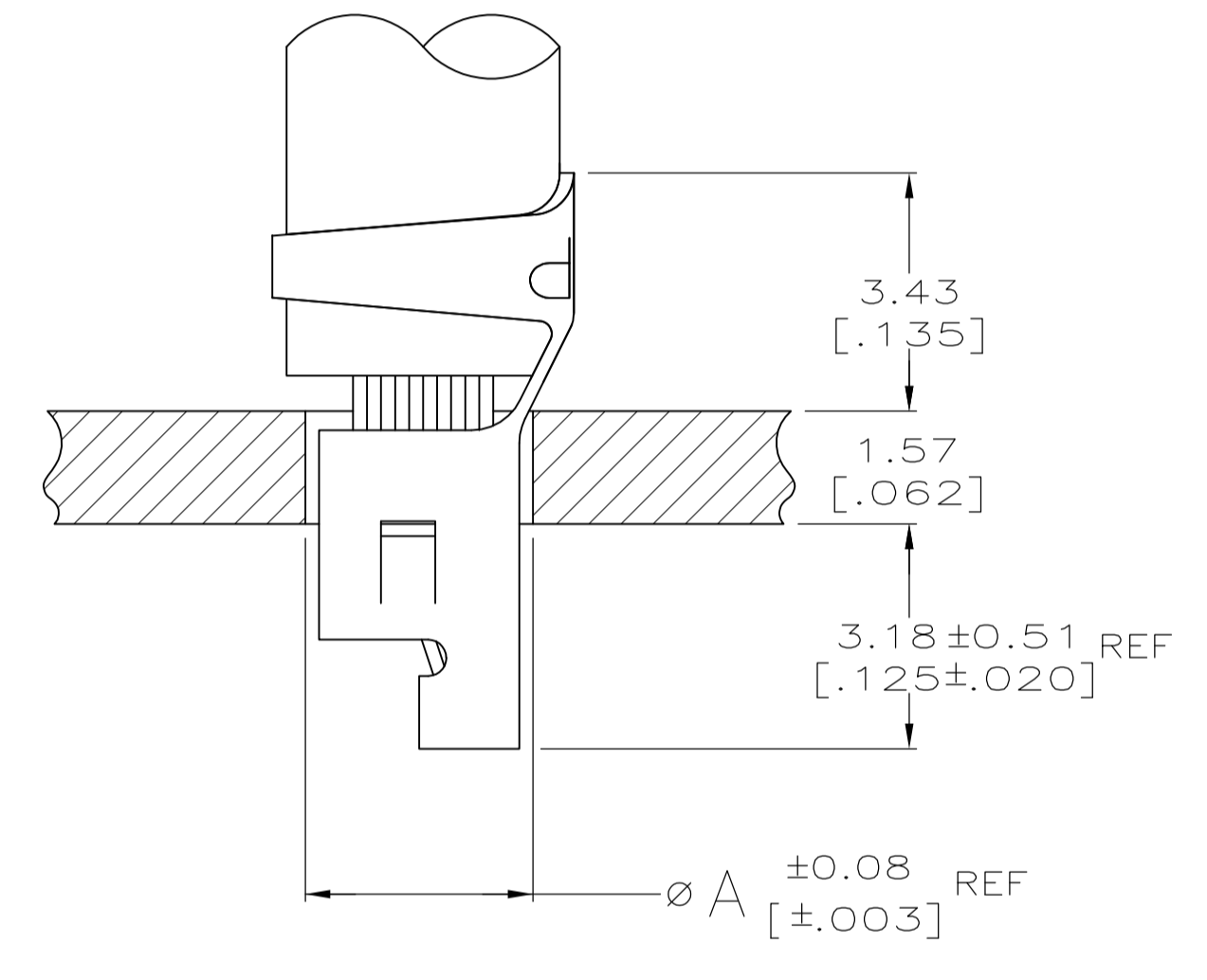
SECTION D-D



SECTION A-A



SECTION B-B



SECTION C-C

3.76 [.148]	10
3.18 [.125]	12
A	AWG

6	3-794037-1
5	-794037-1
FINISH	PART NO.

SUPERSEDED BY
3-794037-1

THIS DRAWING IS A CONTROLLED DOCUMENT.		DIN S. CARPENTER 22AUG2003		STE TE Connectivity	
DIMENSIONS: INCHES		TOLERANCES UNLESS OTHERWISE SPECIFIED:		NAME	
0 PLC ±		1 PLC ±		J. ELLIS	
1 PLC ±		2 PLC ± 0.13 [.005]		22AUG2003	
2 PLC ±		3 PLC ±		J. ELLIS	
3 PLC ±		4 PLC ±		22AUG2003	
4 PLC ±		ANGLES ±		PRODUCT SPEC	
MATERIAL 0.198 [.0078] PH BRZ		FINISH		APPLICATION SPEC	
WEIGHT		SIZE		CAGE CODE	
CUSTOMER DRAWING		A1		DRAWING NO. 00779	
SCALE 10:1		SHEET 1 OF 1		REV C3	

METRIC