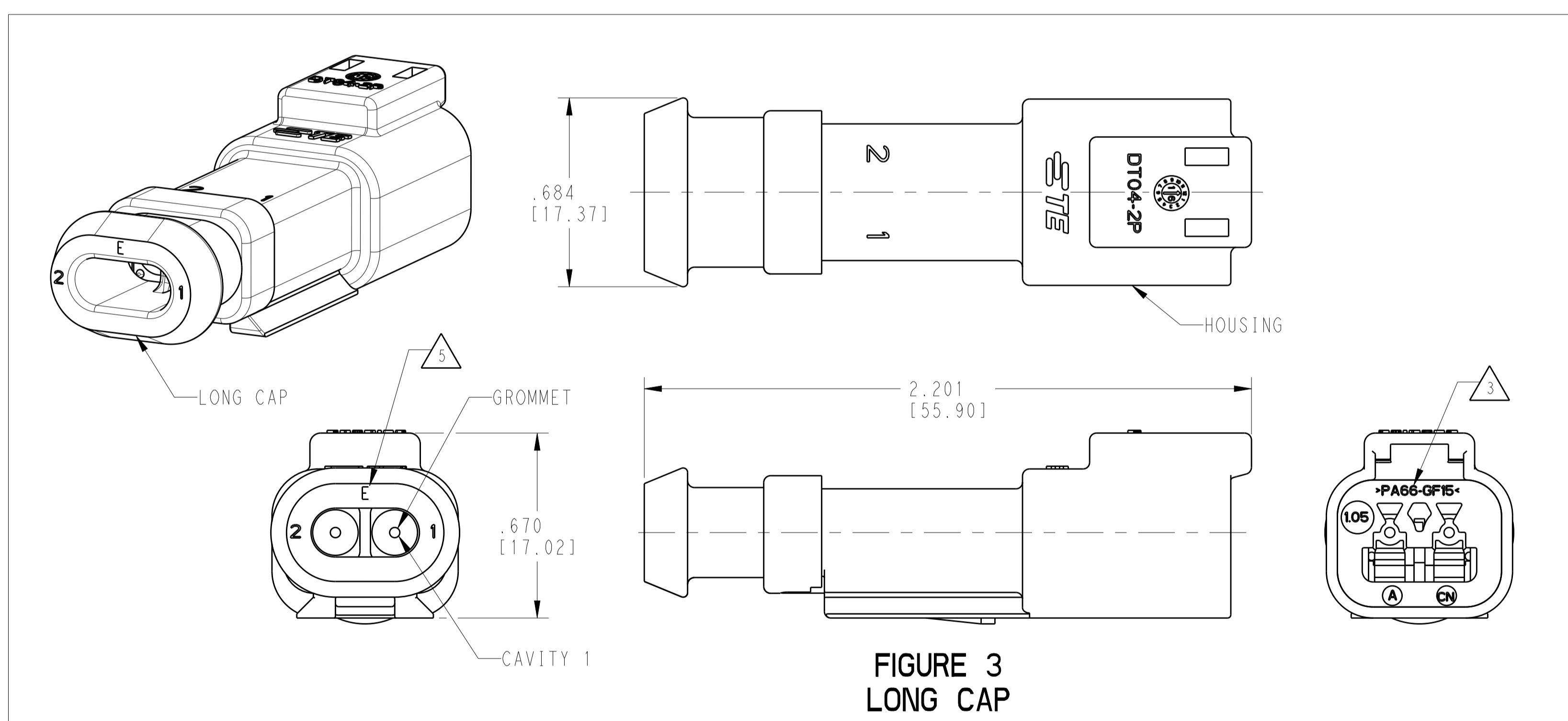
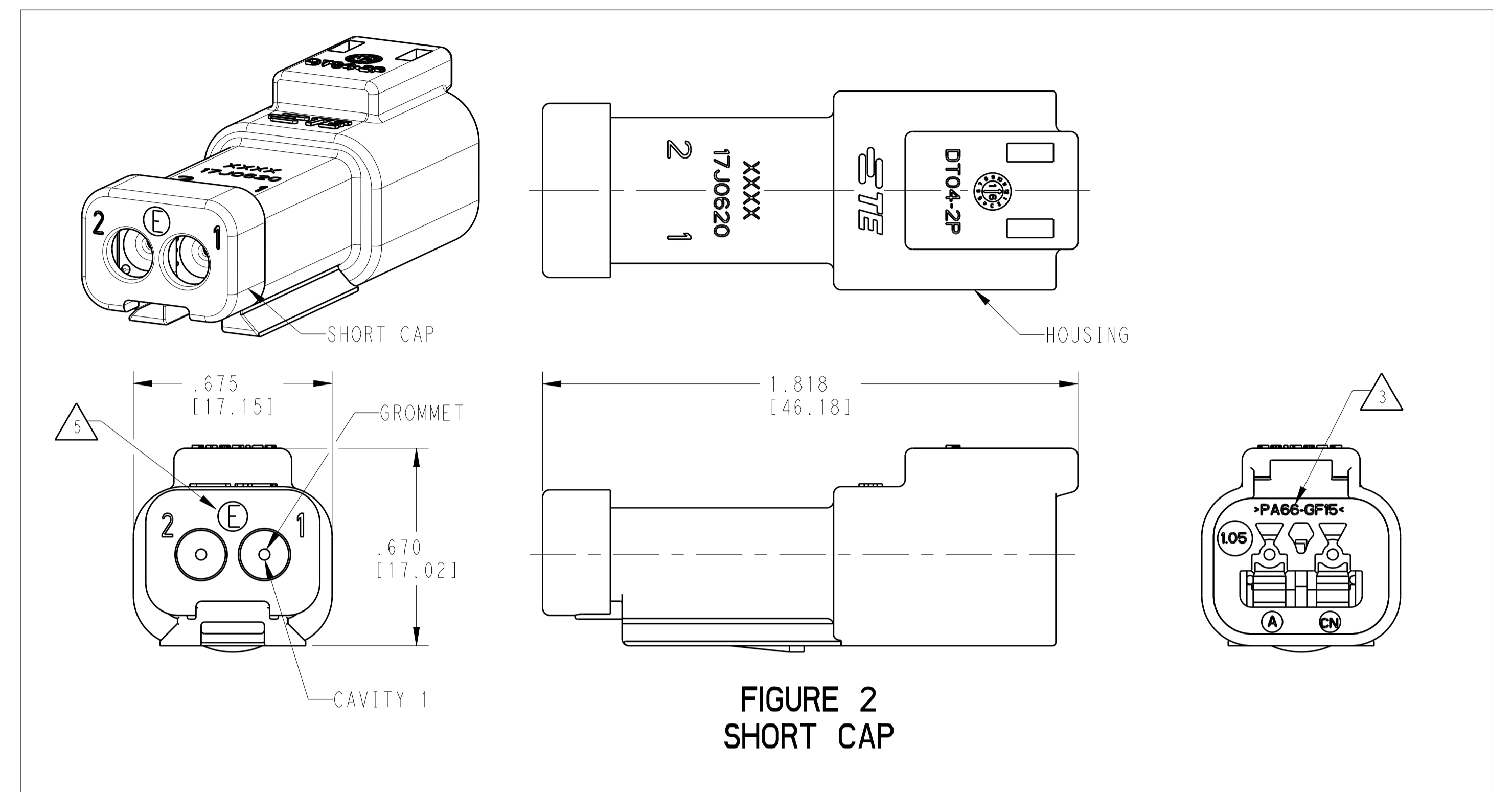
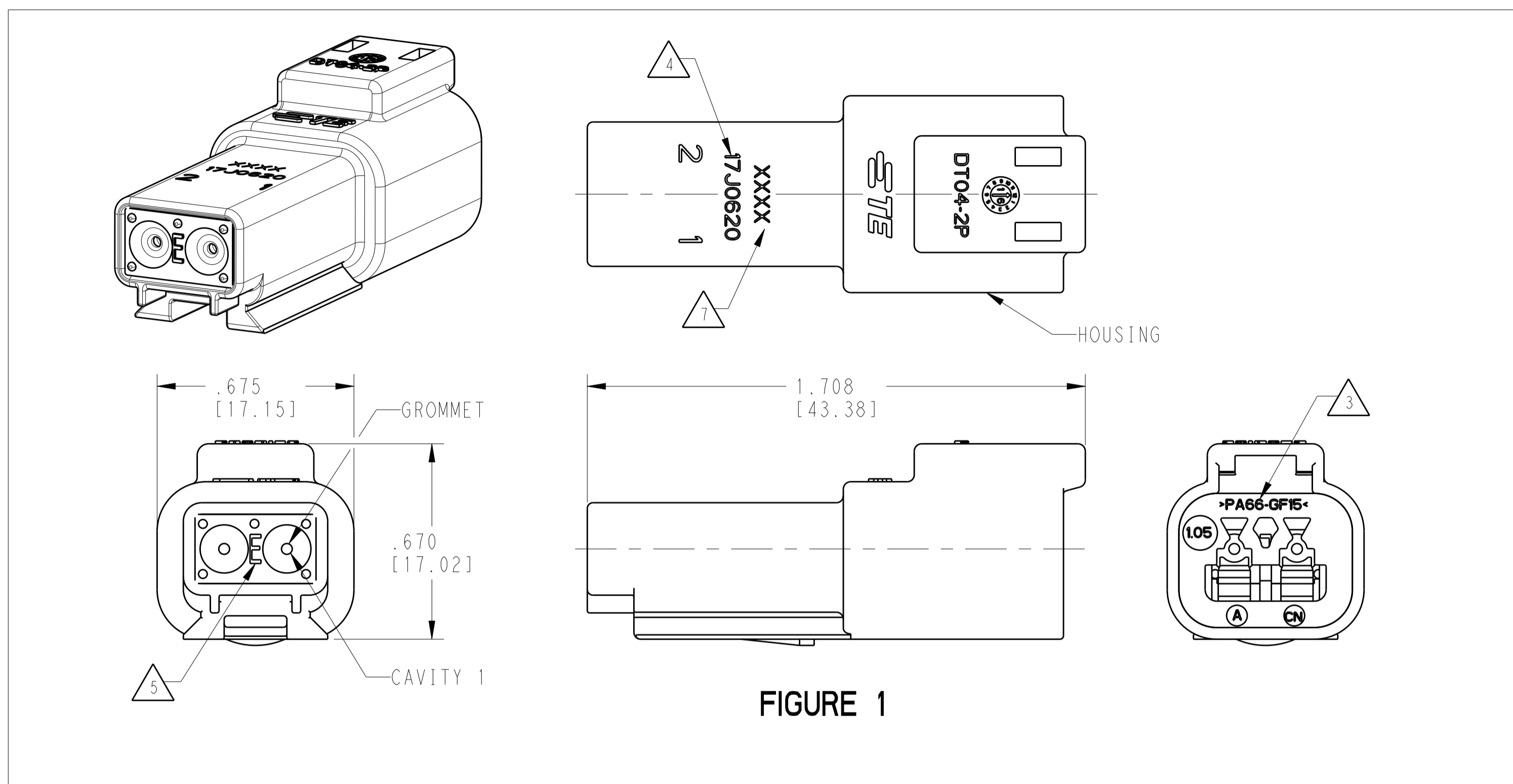


LOC	DIST	REVISIONS			
P	LTN	DESCRIPTION	DATE	DMN	APVD
A1		INITIAL RELEASE	13JUL2017	JA	DM
B		REVISED PER PCN E-17-010843	21MAR2018	JA	DM



CONTACT SIZE	WIRE RANGE	INSULATION OD SEALING RANGE	SEAL IDENTIFICATION
16	14-20 AWG [2.5-0.5mm ²]	.088-.145 [2.23-3.68]	STANDARD SEAL
		.053-.120 [1.35-3.05]	EXTRA THIN SEAL E-SEAL

TE INTERNAL PART NUMBER	DEUTSCH PART NUMBER	PN REV	COLOR	STANDARD SEAL GROMMET	EXTRA THIN SEAL E-SEAL GROMMET	SHORT CAP	LONG CAP	FIGURE
DT04-2P	DT04-2P	A	GREY	X				1
DT04-2P-C015	DT04-2P-C015	A	GREY		X			1
DT04-2P-CE01	DT04-2P-CE01	A	GREY		X	X		2
DT04-2P-CE04	DT04-2P-CE04	B	GREY		X		X	3
DT04-2P-E003	DT04-2P-E003	A	GREY	X		X		2
DT04-2P-E008	DT04-2P-E008	A	GREY	X			X	3
DT04-2P-EP04	DT04-2P-EP04	B	GREY	X		X		2
DT04-2P-P004	DT04-2P-P004	B	GREY	X				1
DT04-2P-CE02	DT04-2P-CE02	A	BLACK		X			1
DT04-2P-CE03	DT04-2P-CE03	A	BLACK		X	X		2
DT04-2P-CE09	DT04-2P-CE09	A	BLACK		X		X	3
DT04-2P-E004	DT04-2P-E004	A	BLACK	X				1
DT04-2P-E005	DT04-2P-E005	A	BLACK	X		X		2
DT04-2P-EE01	DT04-2P-EE01	A	BLACK	X			X	3

- 4 DATE CODE: IDENTIFIES THE YEAR, MONTH, DAY AND HOUR OF ASSEMBLY.
YEAR: FIRST AND SECOND DIGITS. (17 = 2017)
MONTH: THIRD DIGIT, EXCLUDING I. A = JAN, B = FEB, C = MARCH ... (K = OCTOBER)
DAY: FOURTH AND FIFTH DIGITS (14 = 14th DAY)
HOUR: SIXTH AND SEVENTH DIGITS (11 = 11AM)
- 3 MATERIAL: HOUSING, PA66 GF15, SEE TABLE FOR COLOR
SHORT, LONG CAP: PA66 GF15, SEE TABLE FOR COLOR
GROMMET: VMQ (RED-ORANGE)
- 2. THIS RECEPTACLE MATES WITH DT06-2S-XXXX PLUG.
(XXXX = ALL MODIFICATIONS)
- 1. SECONDARY WEDGE LOCK SOLD SEPARATELY: W2PX-XXXX.
(X = A,B,C,D KEY, XXXX = ALL MODIFICATIONS)
- 7 XXXX IDENTIFIES THE MODIFICATION NUMBER, IF APPLICABLE. EXAMPLE: "E003" FOR DT04-2P-E003, OR BLANK FOR DT04-2P.
- 6. FOR CONTACTS AND WIRE PERFORMANCE AND APPLICATION CHARACTERISTICS SEE CUSTOMER DRAWING 0425-015-0000.
- 5 "E" IDENTIFIES E-SEAL.

NOTES: UNLESS OTHERWISE SPECIFIED

THIS DRAWING IS A CONTROLLED DOCUMENT. DWG: J. APOSTOL 16 JUN 2016
CHK: D. MEYER 16 JUN 2016
APVD: D. MEYER 16 JUN 2016

DIMENSIONS: in. [mm]

TOLERANCES UNLESS OTHERWISE SPECIFIED:
0 PLC ±
1 PLC ±
2 PLC ±
3 PLC ±.025 (0.64)
4 PLC ±
ANGLES ±40°30'0"

MATERIAL: FINISH

WEIGHT

CUSTOMER DRAWING

NAME: 2 WAY RECEPTACLE, STANDARD SEAL EXTRA THIN SEAL, SHORT CAP AND LONG CAP, DT SERIES

SIZE: A1

CAGE CODE: 4AFU8

DRAWING NO: DT04-2P-XXXX

RESTRICTED TO: B1

SCALE: 3:1

SHEET: 1 OF 1

REV: B1