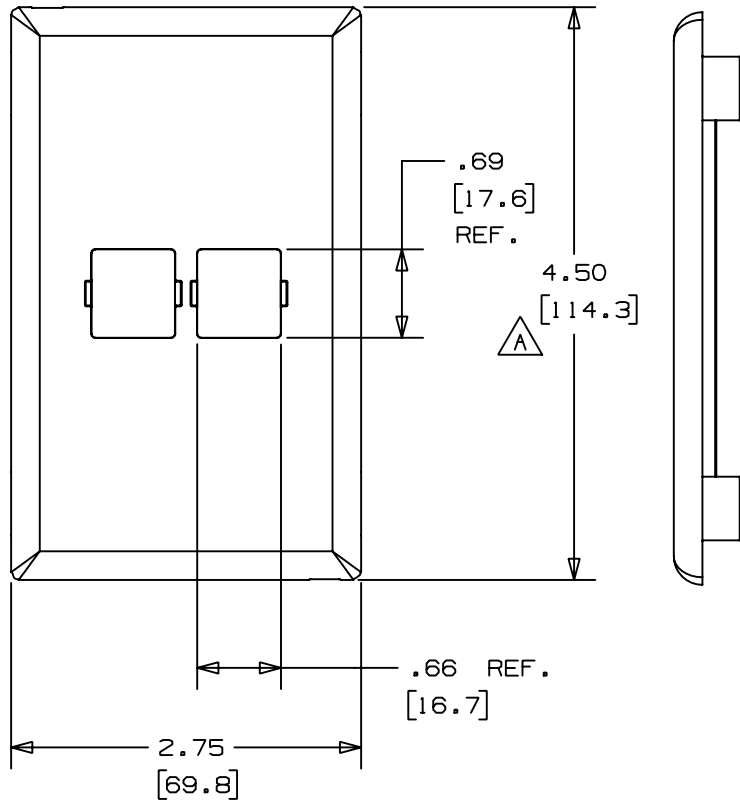


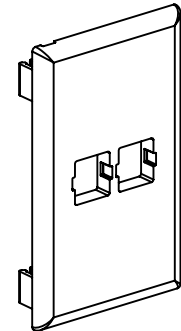
THIS COPY IS PROVIDED ON A RESTRICTED BASIS AND IS NOT TO BE USED IN ANY WAY DETRIMENTAL TO THE INTERESTS OF PANDUIT CORP.



PANDUIT P/N	WEIGHT
T70LV2	.68 LB/10 PCS (310 g/10 PCS)

NOTES:

- SEE CURRENT CATALOG FOR ADDITIONAL PART SUFFIXES TO INDICATE COLOR AND OR PACKAGE QUANTITY.
- THE T70LV2 FACEPLATE WILL ACCEPT TWO LUCENT JACK MODULES.
- DIMENSIONS IN PARENTHESES ARE IN METRIC.
- C THE T70LV2 FACEPLATE CAN BE USED WITH PANDUIT RACEWAY SYSTEMS AND BOXES THAT ACCEPT 70mm SNAP-ON FACEPLATES (INCLUDES: T-70, TWIN-70, TE70, TG-70, ETC.)



CAD FILENAME/LAYERS D36752BH\_DC\_T70LV2\_03

PANDUIT CORP. TINLEY PARK, ILLINOIS  
 LUCENT 2 MODULE VERTICAL CLASSIC  
A SNAP-ON FACEPLATE (T70LV2)  
 CUSTOMER DRAWING

REV	DATE	BY	CHK	DESCRIPTION	ECN	CHK	CUST	SUP
3	03-13-00	JHNU	HIW	C. ADDED NOTE 4	36752-08	HIW	HIW	
2	06-30-99	DW	HIW	B. REVISED TITLE NAME	36752-08	HIW	HIW	
1	05-14-99	DW	HIW	A. CORRECTED DIMENSION WAS 4.49(114.2).	36752-08	HIW	HIW	
R	03-09-99	DW	HIW	RELEASED TO PRODUCTION.	36752-08	HIW	HIW	

UNLESS OTHERWISE SPECIFIED, DIMENSIONAL TOLERANCES ARE: (.X) ± (.XXX) ± (.XX) ±.03(.8) ANGLES ±		UNLESS OTHERWISE SPECIFIED, ALL DIMENSIONS ARE GIVEN IN INCHES, THIRD ANGLE PROJECTION.	
DRAWN BY DW	MAT'L: PVC	SCALE NONE	
DATE 03-09-99		DRAWING NO. 36752-08	DWG A SIZE
CHECKED BY HIW			