

4

3

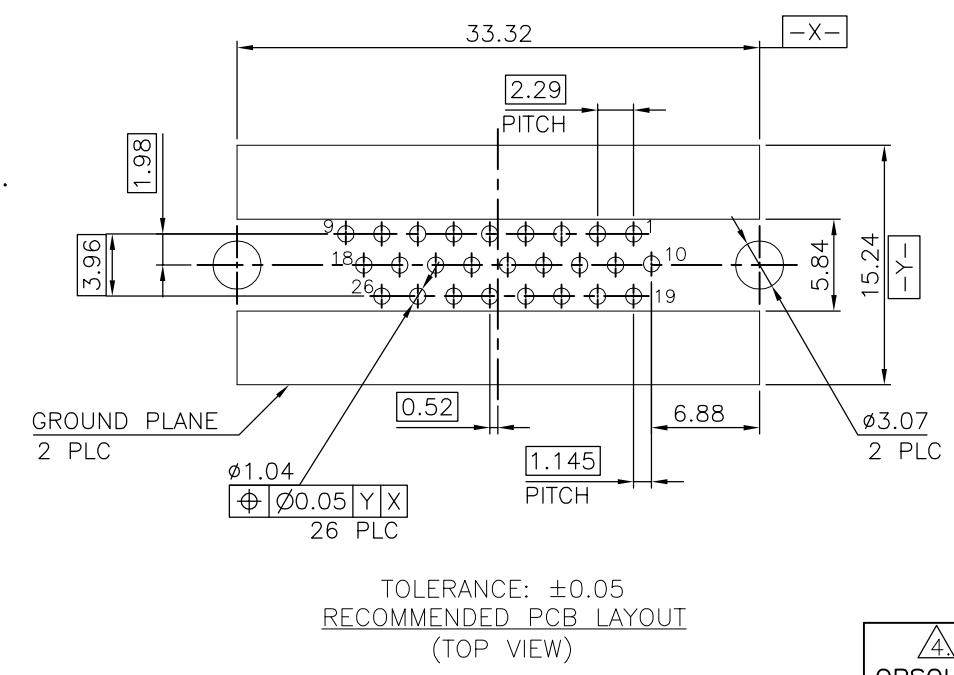
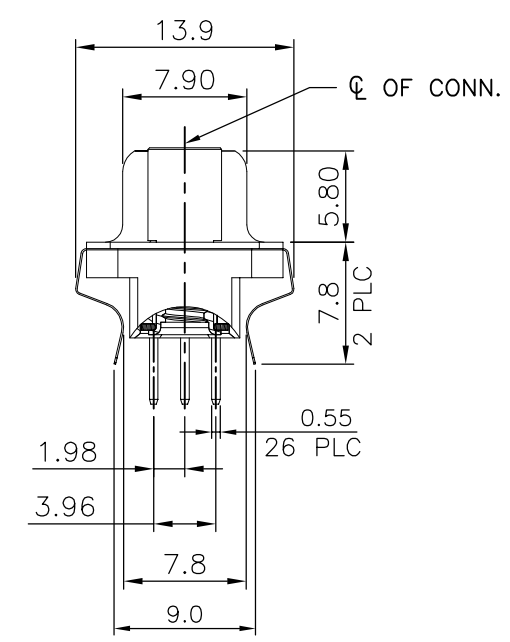
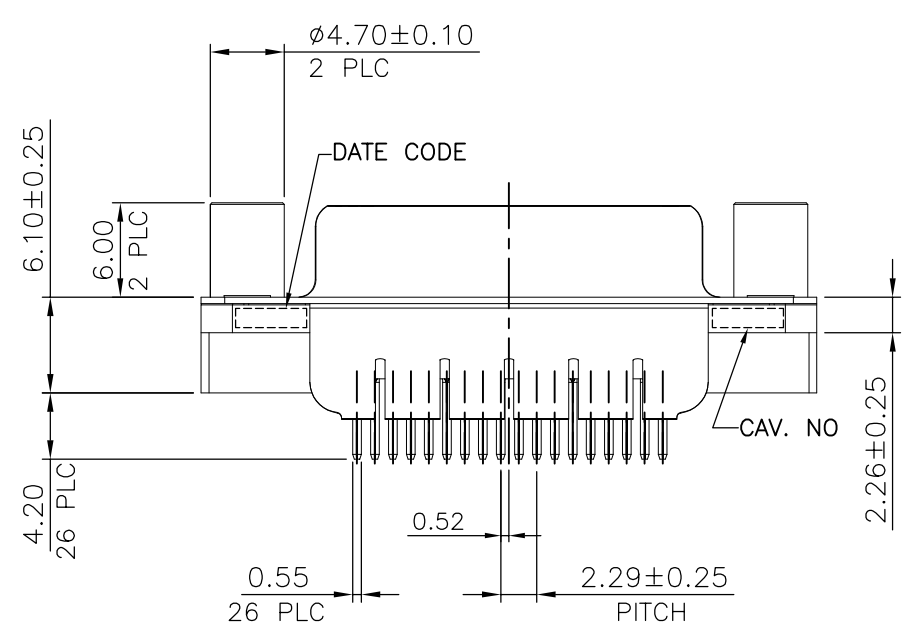
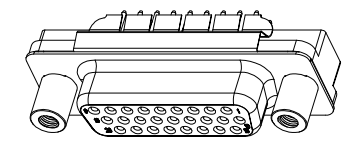
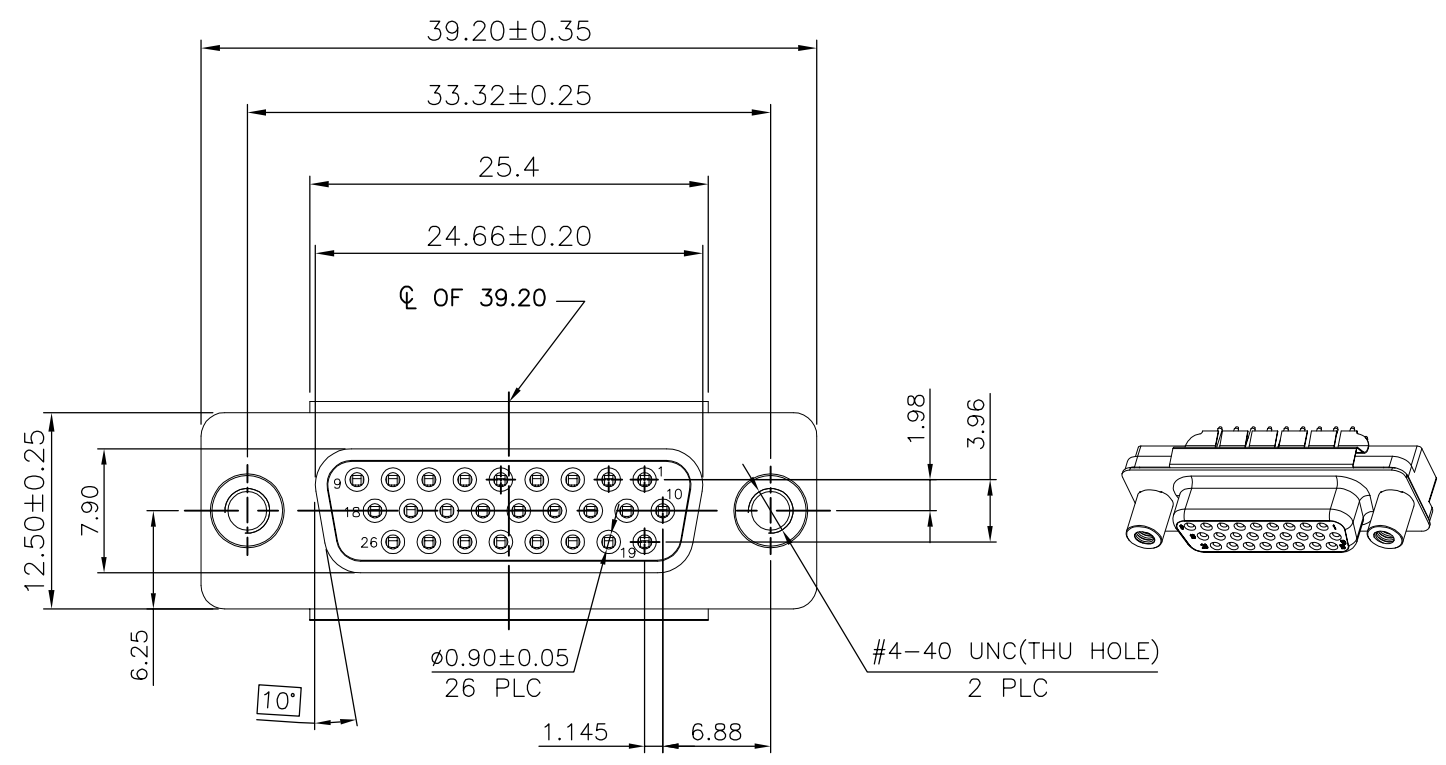
2

1

THIS DRAWING IS UNPUBLISHED. RELEASED FOR PUBLICATION
 © COPYRIGHT BY TYCO ELECTRONICS CORPORATION. ALL RIGHTS RESERVED.

LOC	DIST	REVISIONS					
		P	LTR	DESCRIPTION	DATE	DWN	APVD
DW	-		A2	REVISED PER ECO-15-011151	14DEC2015	AP	DG

NOTE:
 1. MATERIAL:
 HOUSING: PBT WITH 30% GF POLYESTER, UL 94V-0, BLACK COLOR.
 CONTACTS: PHOSPHOR BRONZE.
 SHELL: STEEL.
 GROUND PLATE: STAINLESS STEEL SHEET.
 NUT: BRASS.
 WASHER: BRASS.
 2. FINISH:
 CONTACTS:
 GOLD PLATING IN CONTACT AREA (SEE TABLE),
 3.04um [120u"] MIN. MATTE-TIN ON SOLDER TAIL, WITH ENTIRE CONTACT UNDERPLATED
 1.27um [50u"] MIN. NICKEL.
 SHELL: 1.27um [50u"] MIN. NICKEL OVER ALL.
 NUT: 1.27um [50u"] MIN. NICKEL OVER ALL.
 WASHER: 1.27um [50u"] MIN. NICKEL OVER ALL.
 3. WAVE SOLDER CAPABLE TO 265°C PER TE TEST SPEC. 109-202, CONDITION B.
 4. OBSOLETE PARTS: OBSOLETE CIS STREAMLINING PER D.RENAUD/D.SINISI.
 5. SCREWLOCKS TO BE CAPABLE OF ACCEPTING #4-40 UNC-2A SCREWS WHEN
 THREADED INTO THE TOP AND BOTTOM OF THE SCREWLOCKS.
 6. DATE CODE: XX XX
 YEAR WEEK



△	GOLD FLASH	5786073-4
OBSOLETE	15u"	5786073-3
OBSOLETE	30u"	5786073-1
	FINISH	PART NO.

THIS DRAWING IS A CONTROLLED DOCUMENT.		DWN	B. MCMASTER	22SEP2005	
		CHK	S. BOLASH	22SEP2005	
		APVD	M. WALMSLEY	22SEP2005	
		PRODUCT SPEC			
DIMENSIONS: MM		TOLERANCES UNLESS OTHERWISE SPECIFIED:			NAME D-SUB CONNECTOR, VERTICAL 26POS, FEMALE FRONT METAL SHELL
		0 PLC ± - 1 PLC ± 0.3 2 PLC ± 0.2 3 PLC ± 0.1 4 PLC ± - ANGLES ± 2°			
MATERIAL		FINISH			SIZE
SEE NOTE		SEE NOTE			WEIGHT
		7.78 GRAMS			A3 00779
		CUSTOMER DRAWING			C=5786073
		SCALE -			SHEET 1 OF 2
		REV A2			RESTRICTED TO -

4

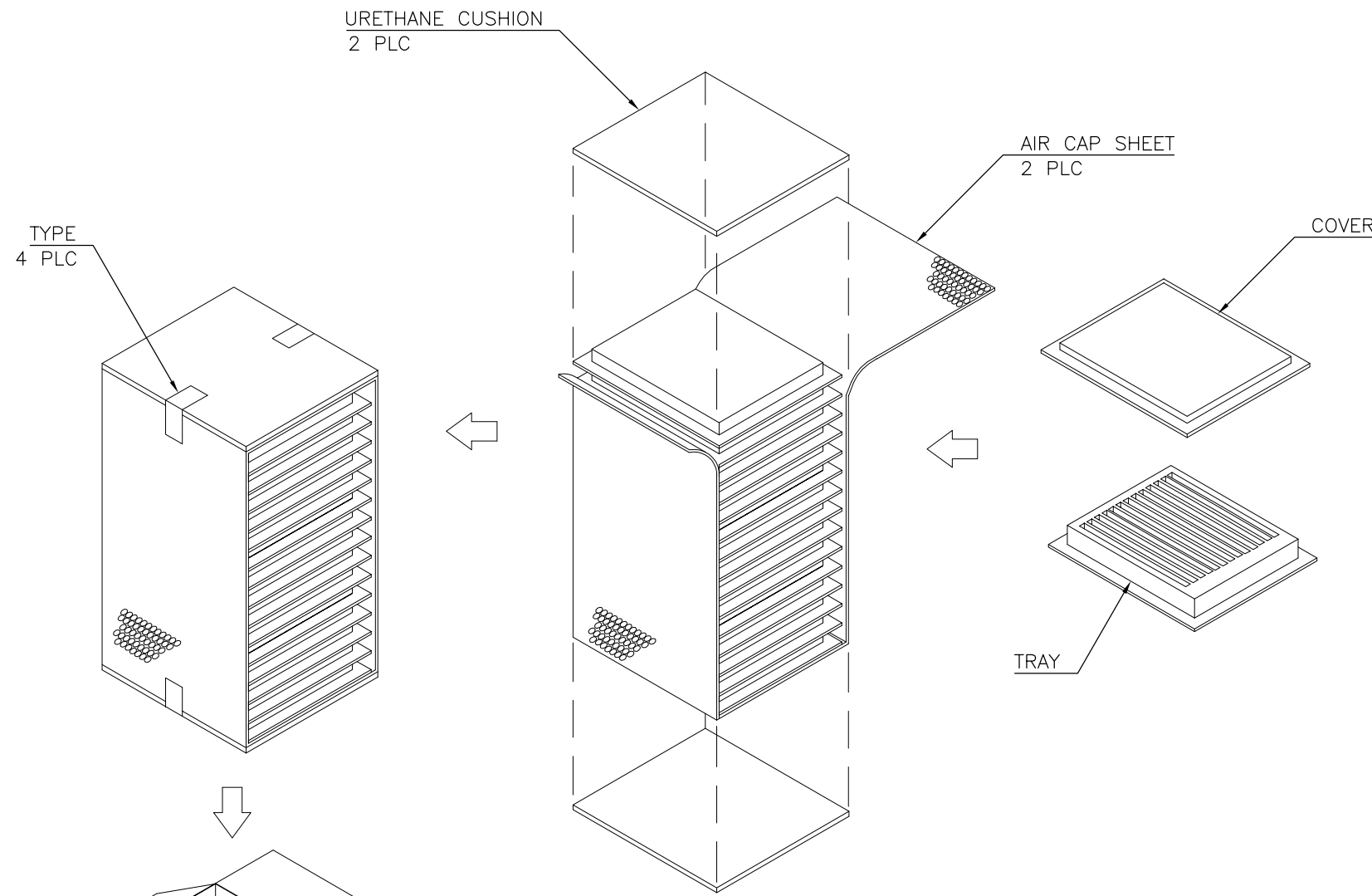
3

2

1

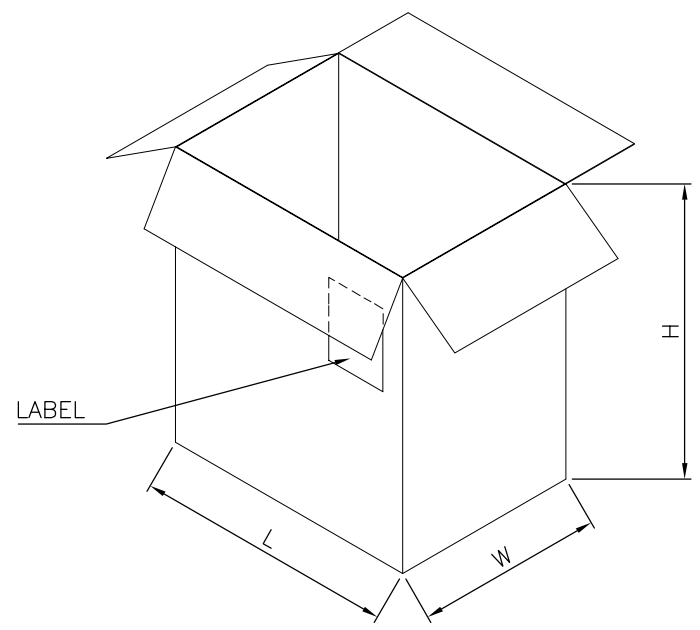
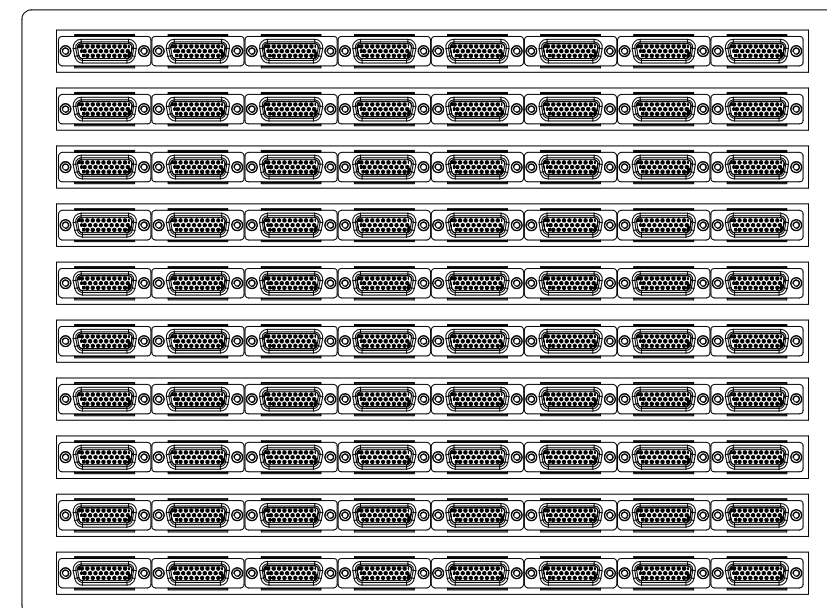
THIS DRAWING IS UNPUBLISHED. RELEASED FOR PUBLICATION
 © COPYRIGHT BY TYCO ELECTRONICS CORPORATION. ALL RIGHTS RESERVED.

LOC	DIST	REVISIONS					
DW	-	P	LTR	DESCRIPTION	DATE	DWN	APVD
				SEE SHEET 1.			




NOTE:

- MATERIAL:
 TRAY: PVC.
 BOX: CORRUGATED FIBERBOARD.
- DIMENSION:
 TRAY: L=345, W=230, H=16.5
 SHIPPING CARTON: L=361, W=245, H=272



9.65Kg	8.30Kg	80	15	1200
GROSS WEIGHT	NET WEIGHT	PCS/TRAY	TRAYS/BOX	PCS/BOX

THIS DRAWING IS A CONTROLLED DOCUMENT.		DWN		 TE Connectivity			
DIMENSIONS: MM		CHK					
TOLERANCES UNLESS OTHERWISE SPECIFIED: 0 PLC ± - 1 PLC ± - 2 PLC ± - 3 PLC ± - 4 PLC ± - ANGLES ± -		APVD		NAME			
MATERIAL		PRODUCT SPEC		D-SUB CONNECTOR, VERTICAL 26POS, FEMALE FRONT METAL SHELL			
SEE NOTE		APPLICATION SPEC					
FINISH		WEIGHT		SIZE	CAGE CODE	DRAWING NO	RESTRICTED TO
SEE NOTE		CUSTOMER DRAWING		A3	00779	5786073	-
		SCALE		SHEET		REV	
		-		2 OF 2		A2	