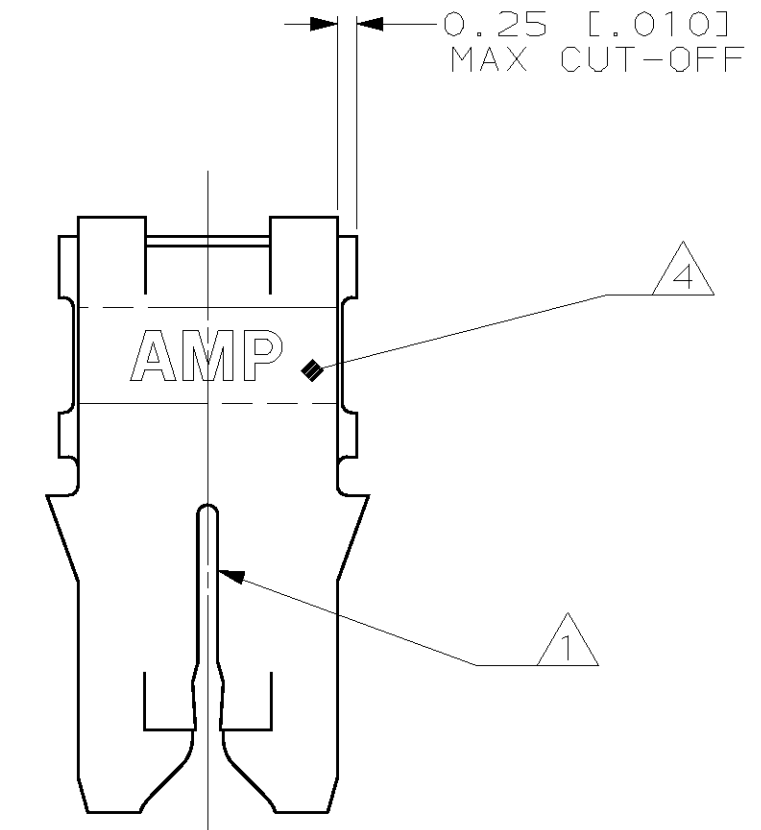
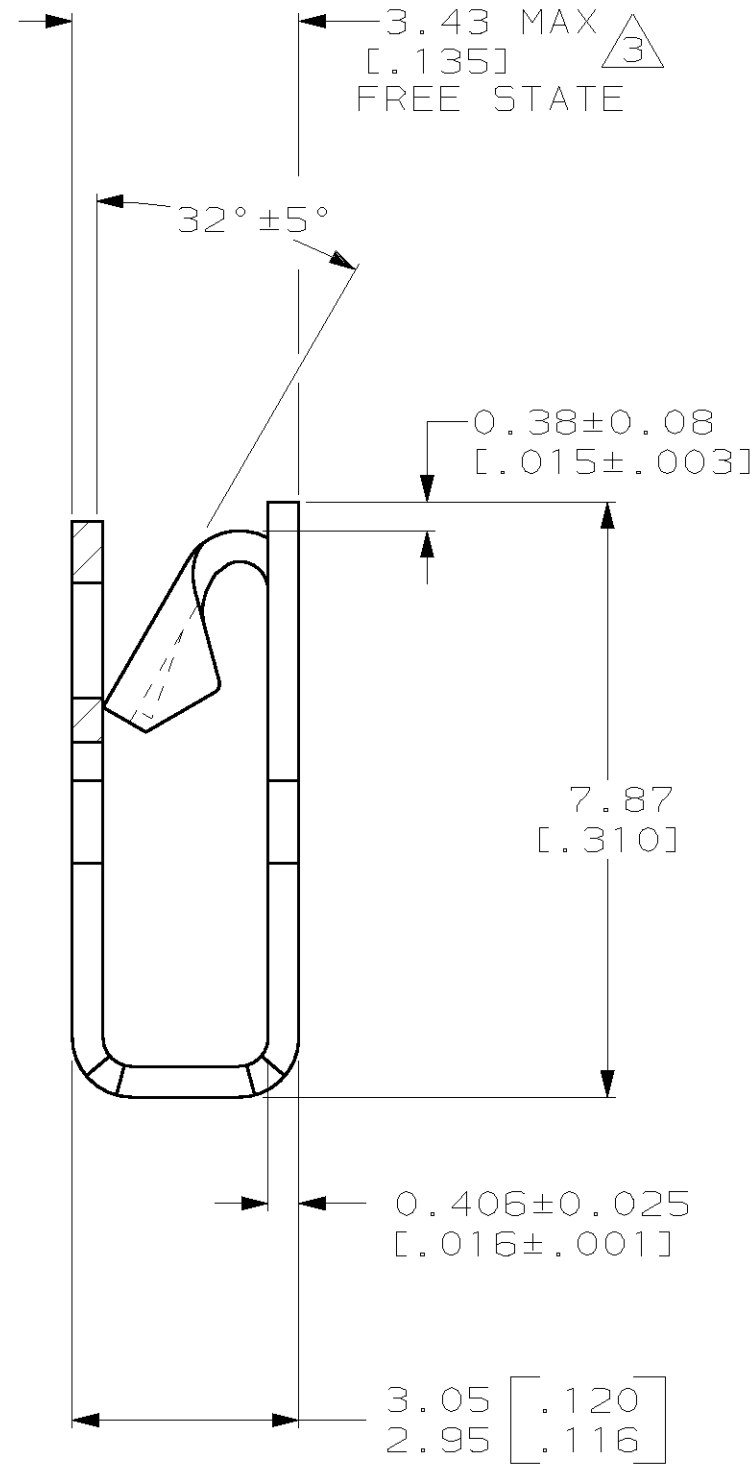
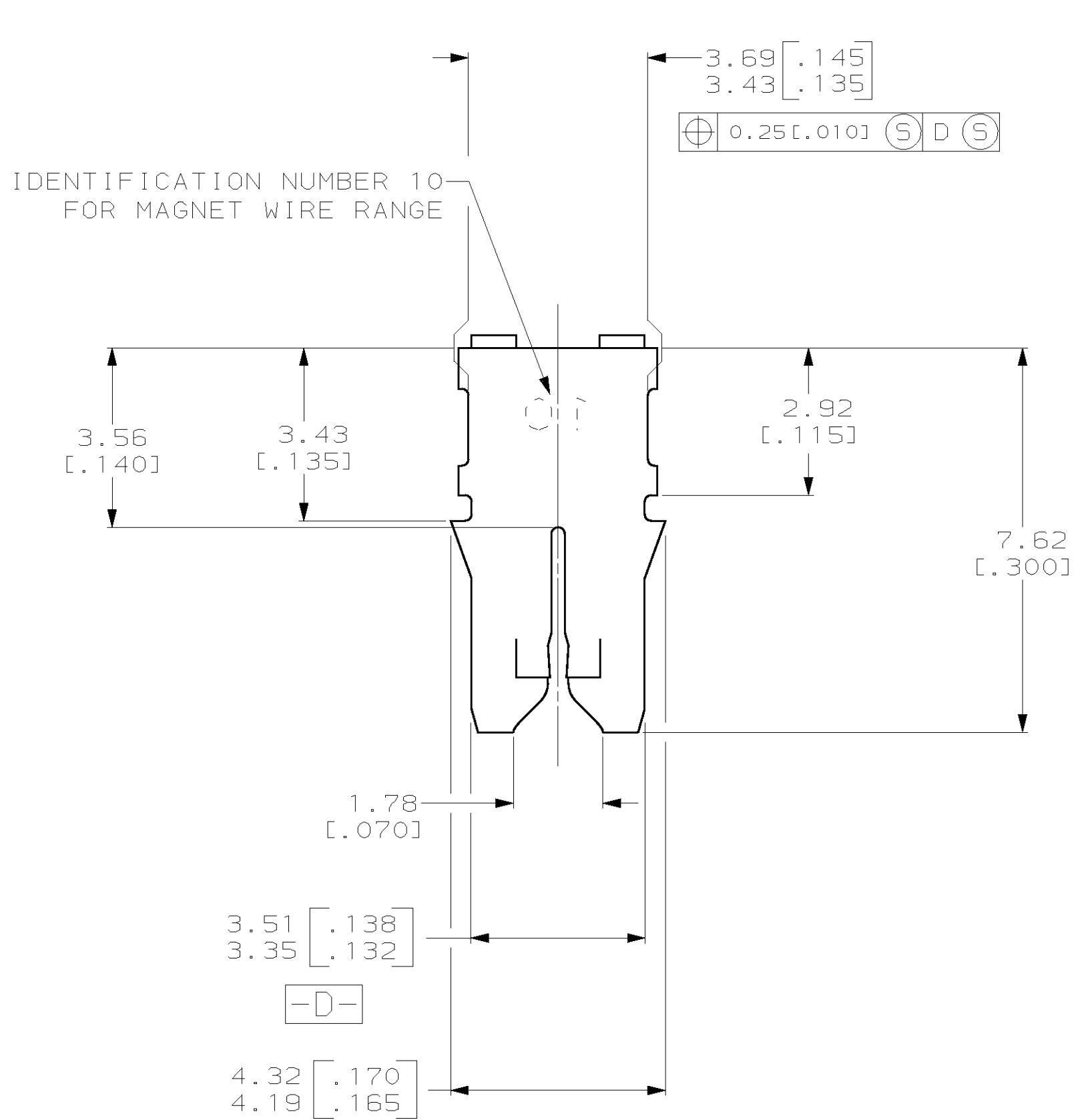
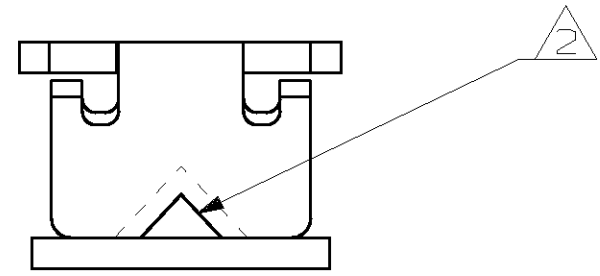


THIS DRAWING IS UNPUBLISHED. RELEASED FOR PUBLICATION
 BY AMP INCORPORATED. ALL RIGHTS RESERVED.

LOC		DIST		REVISIONS			
P	LTR	DESCRIPTION		DATE	DWN	APVD	
0		DRAWN PER OL10-0505-97		08JAN98	MF	NN	

- ① SLOT ACCEPTS 0.36-0.57mm [#27-#23] AWG COPPER MAGNET WIRE. A SINGLE WIRE ONLY.
- ② POKE-IN ACCEPTS A 0.50-0.90mm² [#20-#18] AWG SOLID OR FUSED STRANDED LEAD WIRE.
- ③ DIMENSION APPLIES WITH LEAF EDGE TOUCHING CARRIER SIDE OF BOX.
- ④ RED COLOR STRIPE APPLIED TO THIS SURFACE DURING LOOSE PIECE OPERATION TO PROVIDE COLOR CODING OF MAGNET WIRE RANGE.



63044-1
PART NO.

THIS DRAWING IS A CONTROLLED DOCUMENT.		DWN MICHAEL S. FEHER 13NOV97	AMP Incorporated Harrisburg, PA 17105-3608	
DIMENSIONS: mm [INCHES]		CHK JEFF R. RUTH 09JAN98	NAME TERMINAL, POKE-IN, LOOSE PIECE, MAG-MATE™	
TOLERANCES UNLESS OTHERWISE SPECIFIED: 0 PLC ±- 1 PLC ±- 2 PLC ±0.25 [.010] 3 PLC ±- 4 PLC ±- ANGLES ±-		APVD NELSON E. NEFF 13JAN98	PRODUCT SPEC 108-2012	
MATERIAL 4M BRASS		FINISH 0.002032 [.000080] MIN TIN PER MIL-T-10727	APPLICATION SPEC 114-2046	RESTRICTED TO -
		WEIGHT -	SIZE A2	CAGE CODE 00779
		CUSTOMER DRAWING	DRAWING NO 63044	SCALE 10:1
			SHEET 1	OF 1
			REV 0	