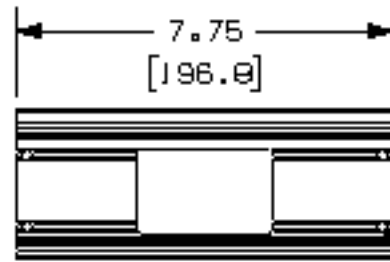
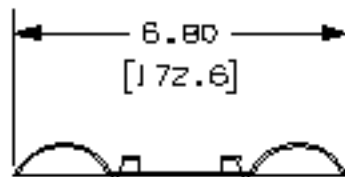
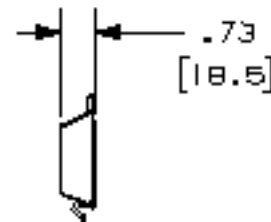
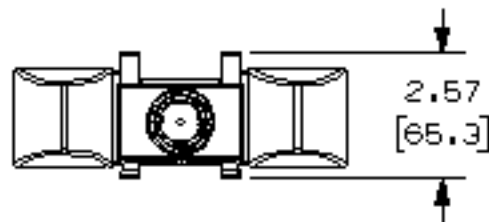
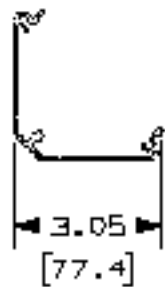


THIS COPY IS PROVIDED ON A RESTRICTED BASIS AND IS NOT TO BE USED IN ANY WAY DETRIMENTAL TO THE INTERESTS OF PANDUIT CORP.



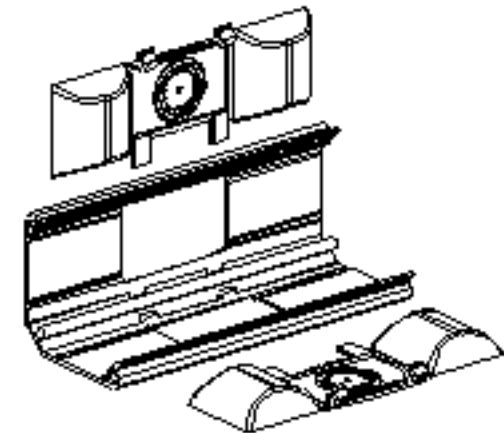
B
MOUNTING HOLES
(4 PLACES)



PANDUIT P/N	WEIGHT
WCM35BF	.337 LB/EACH [153g /EACH]

A NOTES:

1. SEE CURRENT CATALOG FOR ADDITIONAL PART NUMBER SUFFIXES TO INDICATE COLOR AND/OR PACKAGE QUANTITY.
2. THIS PRODUCT IS INTENDED TO BE USED WITH PANDUIT TYPE WCM35 RACEWAY.
3. THIS PRODUCT IS FEATURED WITH A 1" BEND RADIUS.
4. DIMENSIONS IN PARENTHESES ARE METRIC.



GD FILENAME/PTG D384D68C_DC_WCM35BF_ODB.PRT

PANDUIT CORP. FINLEY PARK, ILLINOIS
3.5 INCH COVE MOLDING
BACKFEED FITTING (WCM35BF)
CUSTOMER DRAWING

UNLESS OTHERWISE SPECIFIED,
DIMENSIONAL TOLERANCES ARE:
(.XX) ± .03(.XX) ± .03(.XX) ± .03
ANGLES ±

UNLESS OTHERWISE SPECIFIED,
ALL DIMENSIONS ARE GIVEN
IN INDEC. THIRD ANGLE PROJECTION.

REV	DATE	BY	CHK	DESCRIPTION	ECN	R	CLST	SLP
-	--	--	RELEASED TO PRODUCTION	--	--	
1	10-30-02	JHNU	PM	B. ADDED NOTATION FOR MOUNTING HOLES. A. REVISED NOTES.	38406-03	RGRO	RGRO	
R	10-23-02	JHNU	PM	DRAWING RELEASED				

DRW BY JHNU	MATERIAL PVC	SCALE NONE
DATE 10-23-02		OFFICE NO. 38406-03
CHK'D PM		SIZE A