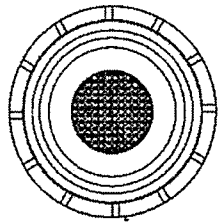
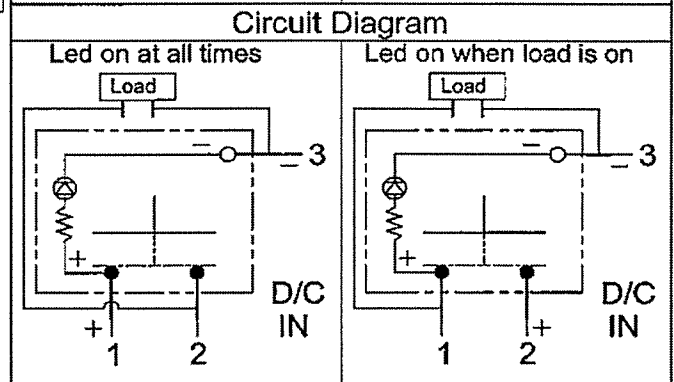
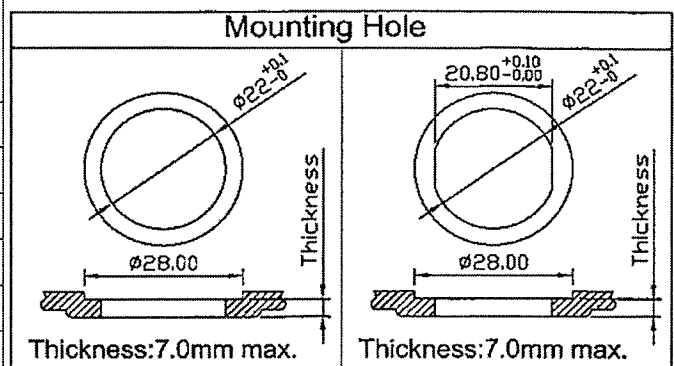


THIS INFORMATION IS CONFIDENTIAL AND PROPRIETARY TO CW INDUSTRIES INCORPORATED AND ITS AFFILIATES. IT MAY NOT BE DISCLOSED TO ANYONE, OTHER THAN CW INDUSTRIES PERSONNEL, WITHOUT WRITTEN AUTHORIZATION FROM CW INDUSTRIES INCORPORATED, SOUTHAMPTON, PENNSYLVANIA USA.

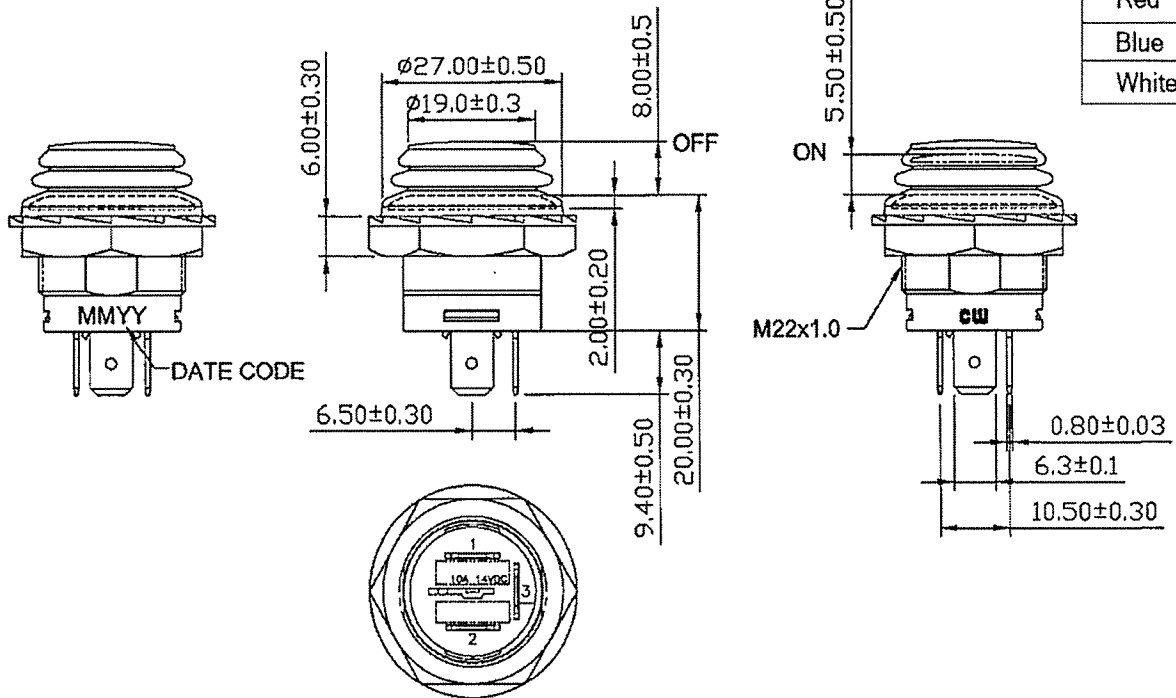
Rating	10A 14VDC
Contact Resistance	50m ohm Max.
Insulation Resistance	DC 500V 100M ohm Min.
Dielectric Strength	AC 1500V 1 minute
Operation Temperature	-25 °C ~ 85 °C
Switch Function	3P SPST OFF - ON LED Dependent
Lamp Type	LED 12VDC 14V w/resistor

**MATERIAL:**


Frame: Black, Nylon 66 (94-V2)  
 Actuator: PC Clear (94-V2), For Color Ref. "X"  
 in Actuator/LED Color Chart and CW P/N.  
 LED: For Color Ref. "X" in Actuator/LED Color  
 Chart and CW P/N.  
 Waterproof Rubber: Black, Silicone  
 Printed: None  
 Waterproof: IP65  
 Electrical life at full load: 20,000 cycles.



Actuator/LED Color	X
Amber	A
Green	G
Red	R
Blue	U
White	W



RoHS Compliant

 <b>CW INDUSTRIES</b> Southampton, Pa. 18966 Tel 215.355.7080/www.cwind.com	Date Drawn: 6-05-12	Rev. 0	Unit: mm	Checked By: <i>G. Gold</i>
	Title: <b>PUSH BUTTON SWITCH</b>		CW P/N: <b>GPB553B2L01BX</b>	