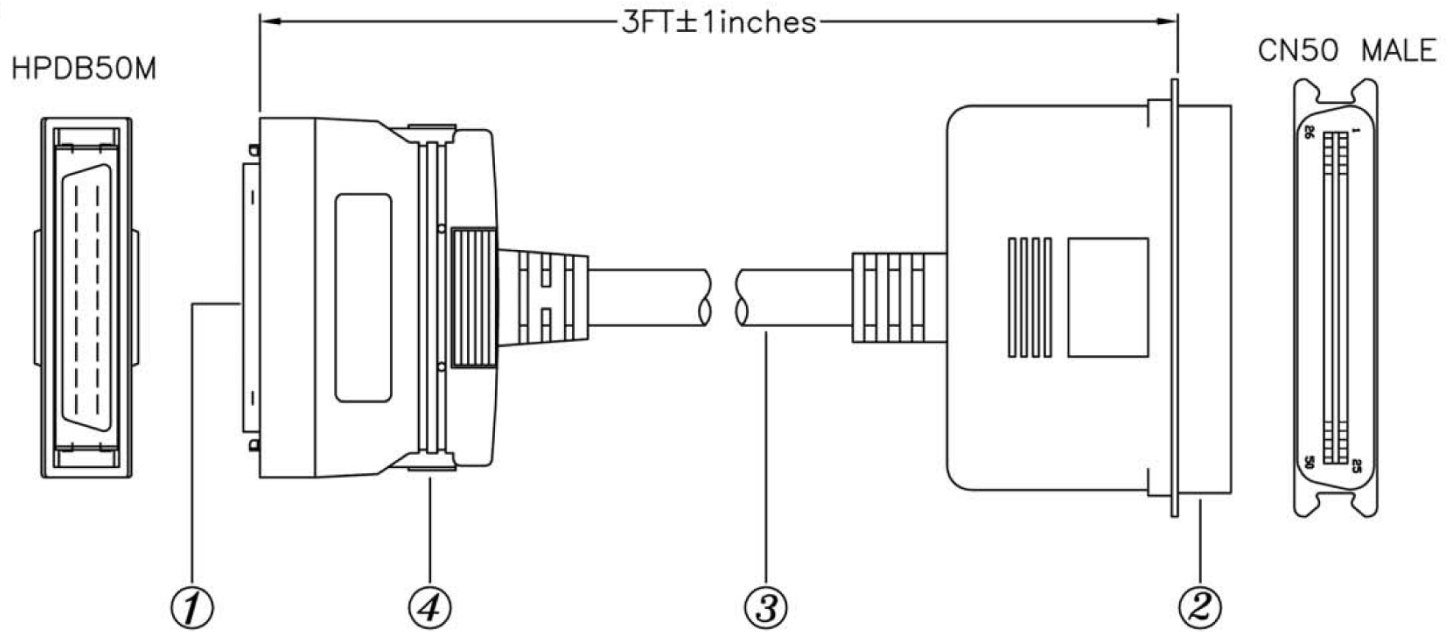
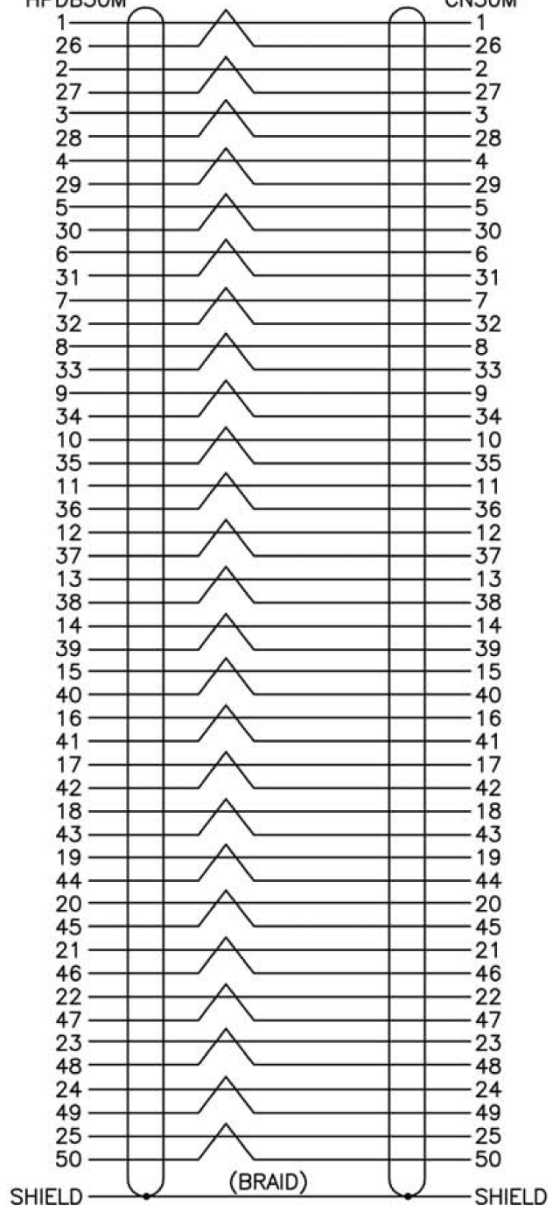


CONFIGURATION: TWISTED PAIR AND ONE BY ONE
HPDB50M CN50M



MAT'L:

1. CABLE: UL2919, #28, 25P+1+AL/MY+BRAID, O.D:9.5
INSULATION OF CONDUCTOR WITH PP(φ0.75)
2. CONNECTORS: HPDB50M, I.D.C, W/LATCH
CN50M, BLACK
INSULATOR COLOR WITH BLACK
3. COPPER TAPE SIZE:
HPDB50M: (10 X 105)+(25 X 85)
CN50M: 42 X 140

NOTE:

1. TOTAL LENGTH: 3FT ± 1 inches
CABLE CUT: 3FT + 5CM
2. COLOR: BEIGE
3. MOLDED TYPE
4. 360° SOLDER
5. ROHS COMPLIANT



ITEM NO	AK-Y1202 (3 Feet)
TITLE	Centronics 50 Pin Male to D-Sub 50 Pin Male, Half Pitch (HP)

ASSMANN
Electronics, Inc.

1840 W. Drake Drive, Suite 101 - Tempe, AZ 85283
Toll Free: 1-877-277-6266 Email: info@usa-assmann.com

THIS DRAWING IS UNPUBLISHED
© Copyright 2008 by Assmann Electronic Components
All International Rights Reserved