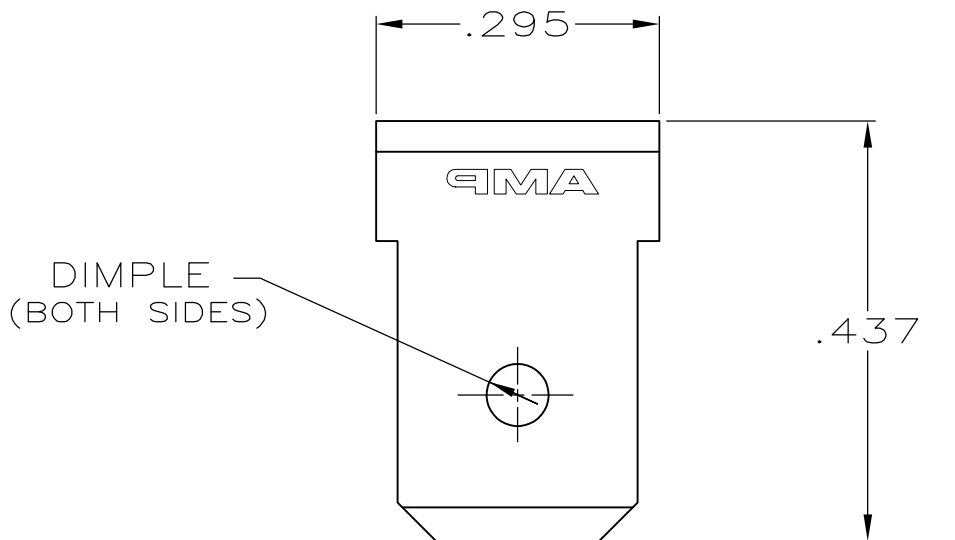
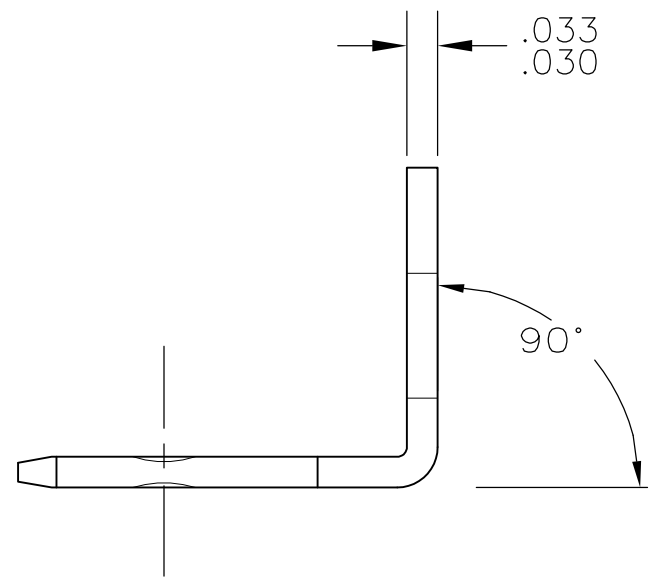
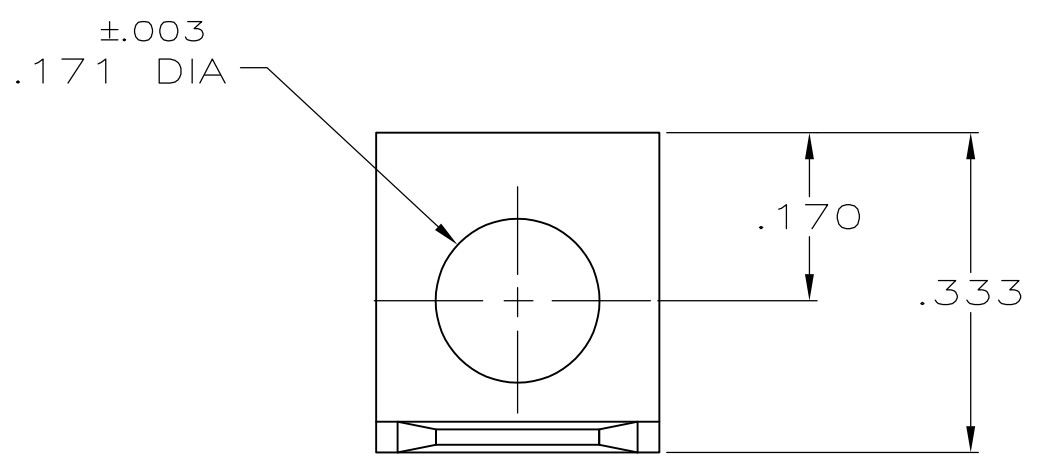


THIS DRAWING IS UNPUBLISHED. RELEASED FOR PUBLICATION
 © COPYRIGHT - By - ALL RIGHTS RESERVED.


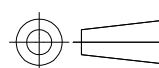
LOC	DIST	REVISIONS			
P	LTR	DESCRIPTION	DATE	DWN	APVD
AF	50	F1	REVISED PER ECO-11-005027	12MAR11	RK HMR



1 SUPPLIED IN LOOSE PIECE.



TIN	42214-2
-	42214-1
FINISH	PART NO

THIS DRAWING IS A CONTROLLED DOCUMENT.		DWN	JR RUTH	3/8/95	 TE Connectivity					
DIMENSIONS: INCHES		CHK	MS FEHER	3/8/95				NAME		
		APVD	P DESANTIS	3/8/95				TAB, FASTON, .250 SERIES		
TOLERANCES UNLESS OTHERWISE SPECIFIED:		PRODUCT SPEC		-						
0 PLC ± - 1 PLC ± - 2 PLC ± - 3 PLC ± .015 4 PLC ± - ANGLES ± -		APPLICATION SPEC		-						
MATERIAL		FINISH		WEIGHT		RESTRICTED TO				
082 BRASS		SEE TABLE		-		-				
CUSTOMER DRAWING				SIZE	A3	CAGE CODE	00779			
				DRAWING NO	C-42214		REV			
				SCALE	5:1	SHEET	1 OF 1			
						REV	F1			