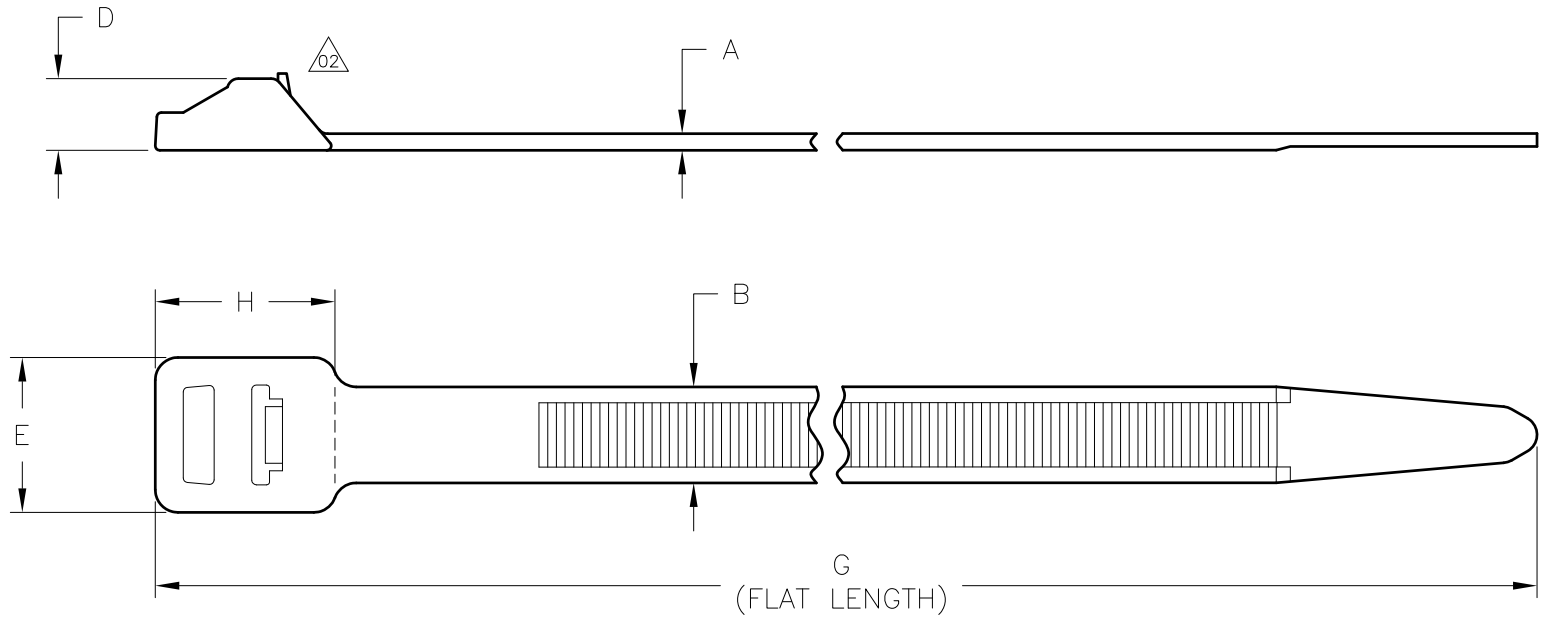


Revision level		Revision Record	Changed	Date	Approved	Date
part	drawing					
-	02	See ECN 011820	A.A.C.	04/22/11	K.A.C.	04/22/11



PRODUCT CODE DESCRIPTION

RT250XL\_UV  
 COLOR  
 (CONSULT FACTORY FOR AVAILABLE COLORS)

Aerospace Spec Tie SAE AS33671	Product Code	Cable Range (mm)	Material	A	B	D	E	G	H	Min Loop Tensile Strength (newtons)
no	RT250XL_	12 to 305	PA66	2.2 ±0.2	12.5±0.2	9.5 ±0.5	20.0 ±0.5	1030.0 ±5.0	22.4 ±1.0	1115
	RT250XL_UV		PA66UV							

SEE CHART

Material

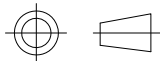
Dimension tolerances unless otherwise specified

- .XXXX =
- .XXX =
- .XX =
- .X = ± NOTED
- < =

Dimension Units mm

PERFORMANCE SPECIFICATION

**ACAD MECH**  
2010



Drawn K.A.C. 09/22/03  
 Approved K.A.C. 04/22/11

Scale 1:1 Computer File Number CT\CST\2250012\_02

ALL PROPRIETARY RIGHTS IN THE SUBJECT MATTER SHOWN ON THIS DRAWING ARE EXCLUSIVE PROPERTY OF HELLERMANN TYTON

**HellermannTyton**

7930 N. Faulkner Rd.  
 Milwaukee, WI 53224  
 Ph: (414) 355-1130  
 Fx: (414) 362-8338

Title **RT250XL HEAVY DUTY LASHING RELEASABLE CABLE TIE**

Drawing-No **CT2250012CST**

Format AH  
 Sheet 1 of 1