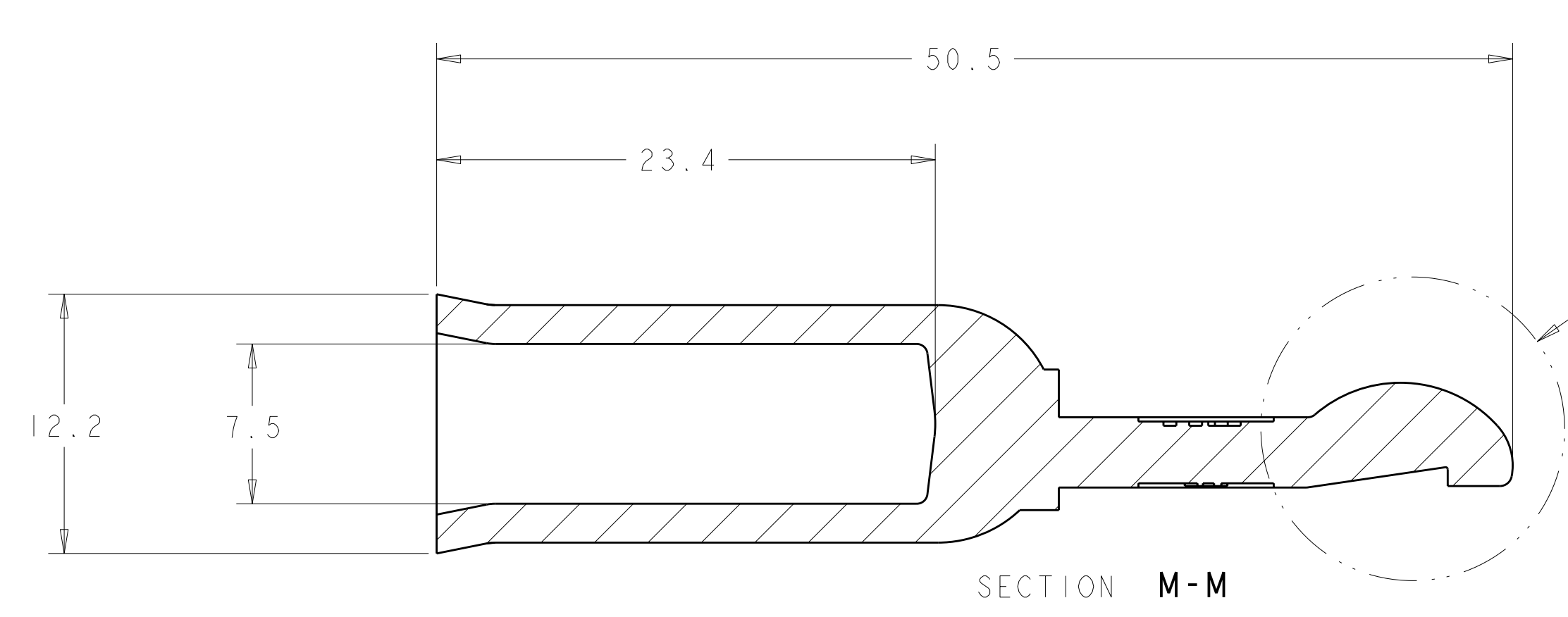
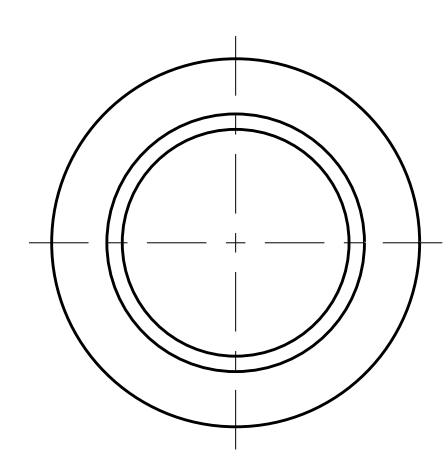
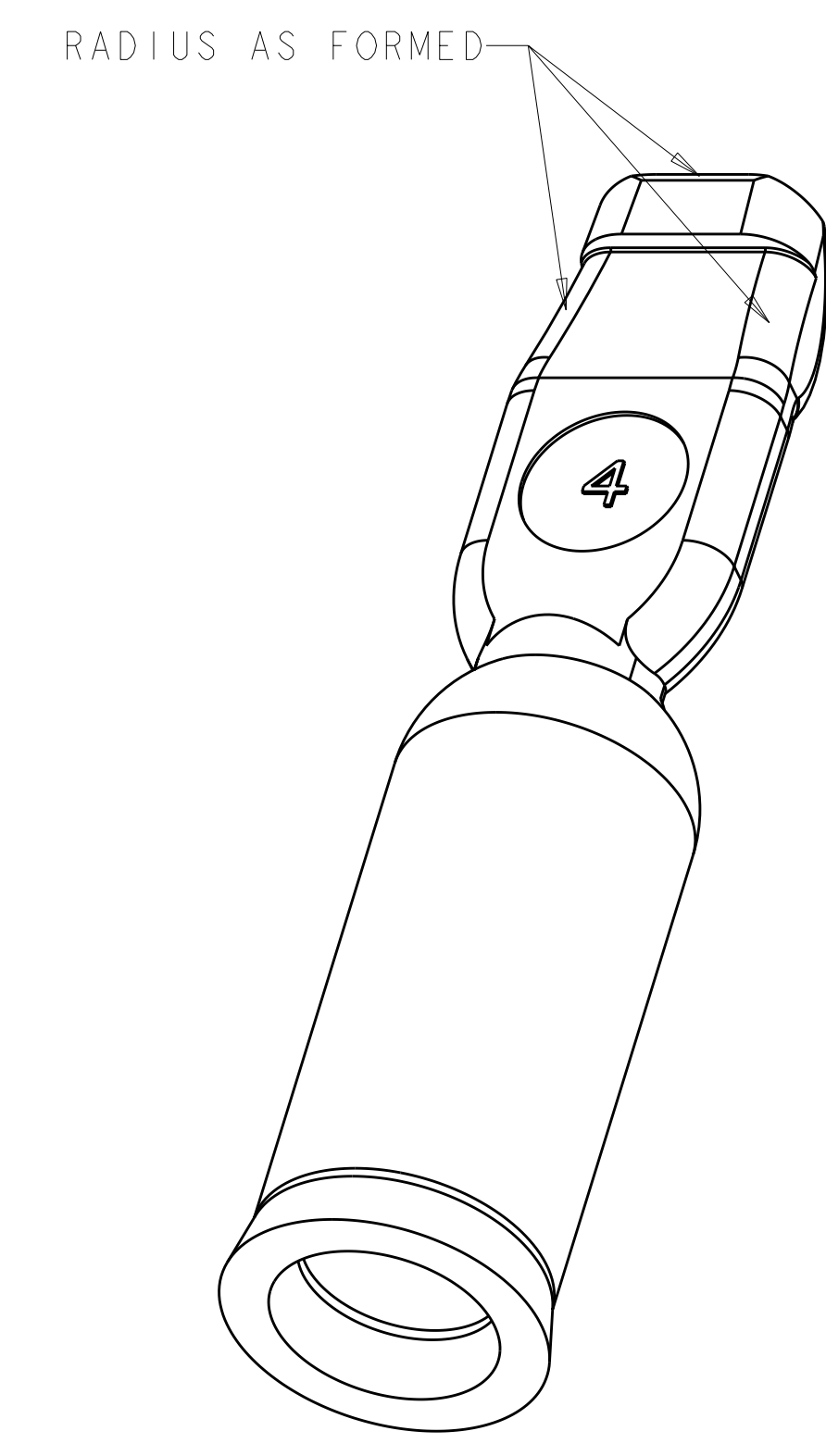
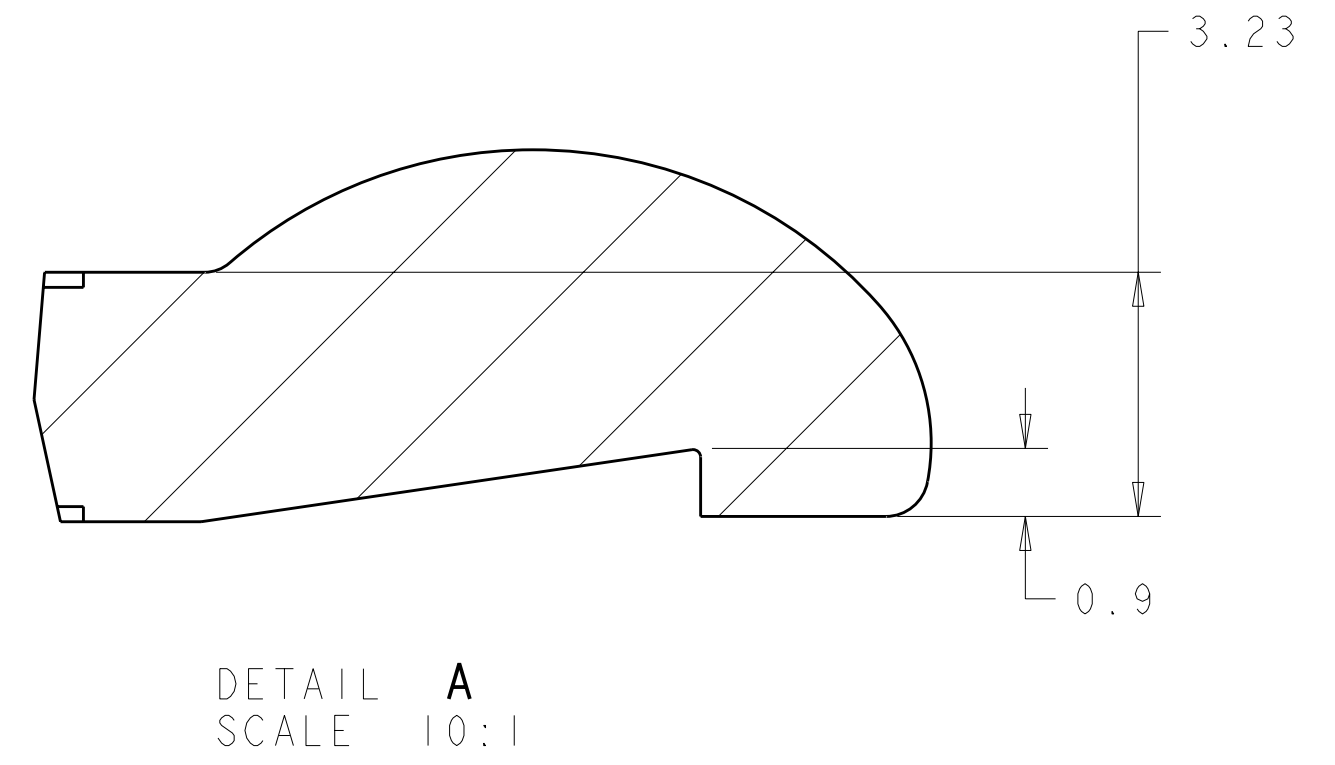
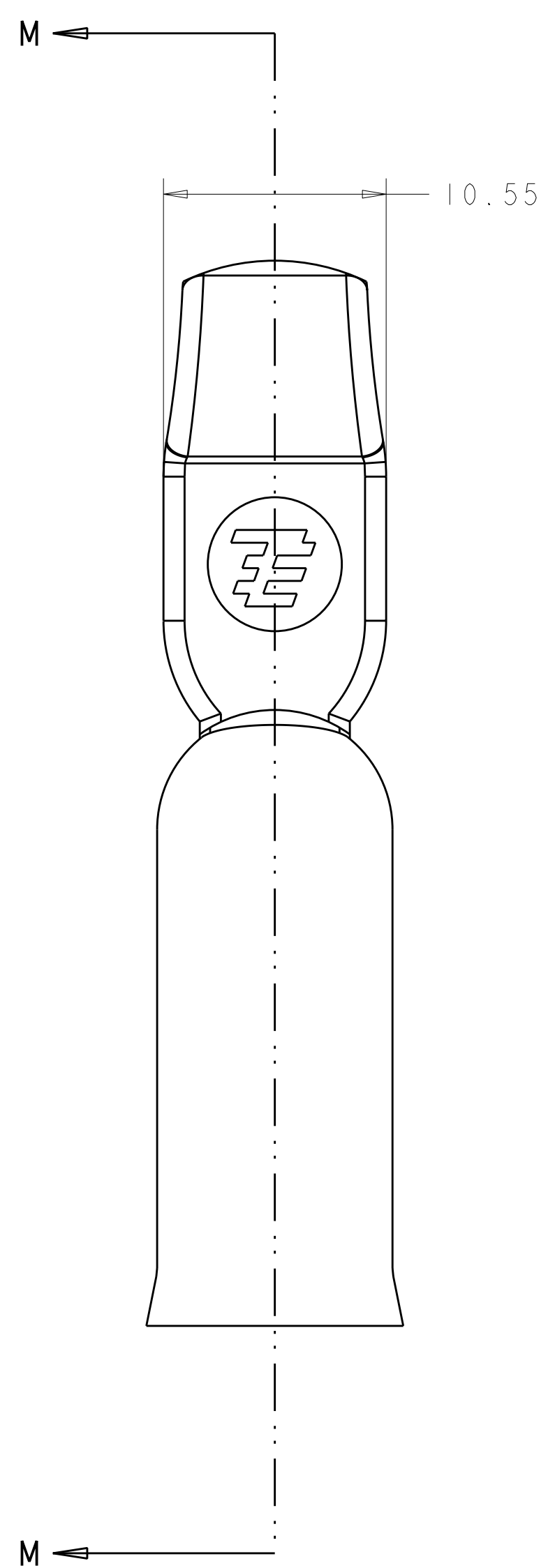


| LOC | DIST | REV | DATE | BY | CHKD | APVD |
|-----|------|-----|---------|----|------|------|
| CM | 00 | A | 01APR80 | JR | SM | |



- 1. MATERIAL: COPPER
- 2. PLATING: SILVER
- 3. THIS PRODUCT HAS PASSED VERIFICATION AND AGENCY APPROVALS TESTING AND IS COMPONENT RECOGNIZED PER UL 1977 AND CSA 22.2. TYCO ELECTRONICS PRODUCT QUALIFICATION TESTING IS NOT YET COMPLETED.

1445996-1
PART NUMBER

METRIC

| | | | |
|--|---|---|---|
| <small>THIS DRAWING IS UNPUBLISHED. RELEASED FOR PUBLICATION BY TYCO ELECTRONICS CORPORATION. ALL RIGHTS RESERVED.</small> | | DWN BY: HAYMAKER 28NOV01 CHK: K. KETELSLEGER 28NOV01 APVD: K. KETELSLEGER 28NOV01 | tyco Electronics Tyco Electronics Harrisburg, PA 17105-3608 |
| DIMENSIONS: mm | TOLERANCES UNLESS OTHERWISE SPECIFIED: 9 PLC ± 1 PLC ± 5 PLC ±0.13 4 PLC ± ANGLES ±5 | NAME: CONTACT, AMP POWER SERIES 120, 4 AWG PRODUCT SPEC: APPLICATION SPEC: WEIGHT: CUSTOMER DRAWING | SIZE: A CAGE CODE: 00779 DRAWING NO: C-1445996 SCALE: 4:1 SHEET: 1 OF 1 REV: A |