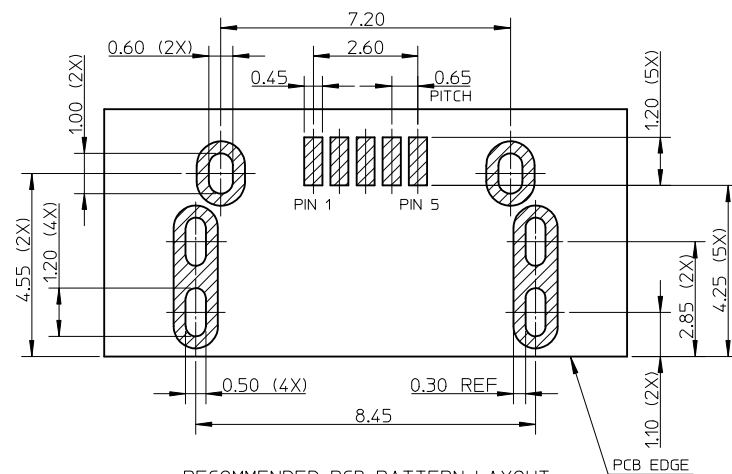
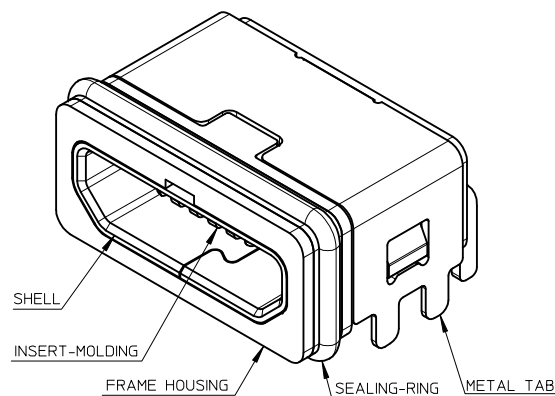
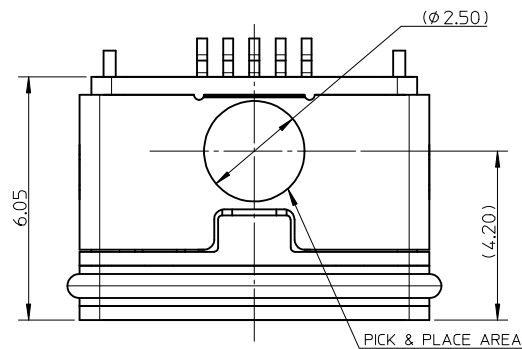
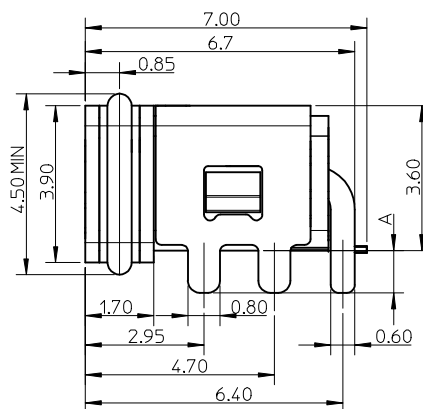
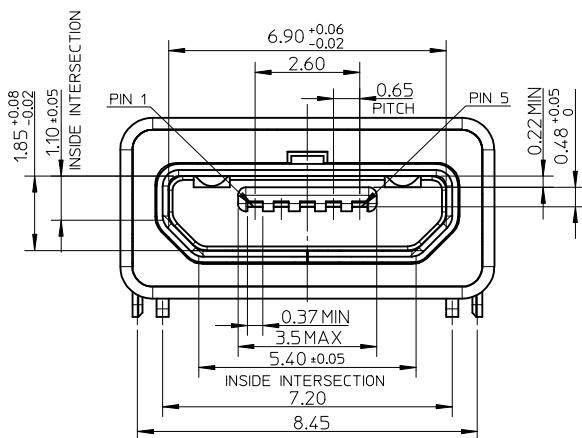


10 9 8 7 6 5 4 3 2 1

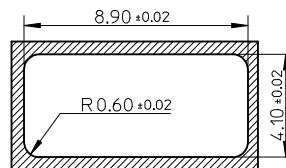


RECOMMENDED PCB PATTERN LAYOUT  
GENERAL TOLERANCE: ±0.05



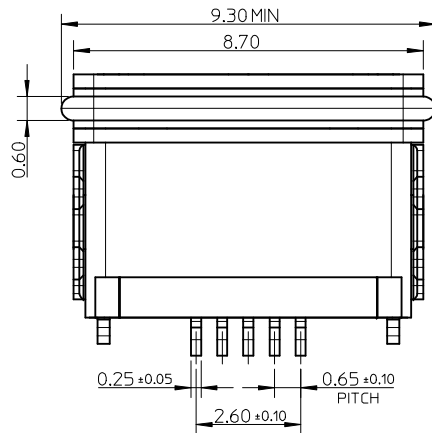
NOTES:

- MATERIAL:  
HOUSING: LCP, BLACK, UL94V-0;  
TERMINAL: COPPER ALLOY, THICKNESS: 0.15mm;  
SHELL: STAINLESS STEEL, THICKNESS: 0.30mm;  
METAL TAB: STAINLESS STEEL, THICKNESS: 0.25mm;  
SEALING RING: SILICON RUBBER.
- PLATING:  
TERMINAL: CONTACT AREA: GOLD FLASH OVER MINIMUM 0.75MICRON Pd/Ni;  
SOLDER TAIL AREA: GOLD FLASH; UNDER PLATING: NICKEL 2.0MICRON MINIMUM.  
SHELL / METAL TAB: 2.0MICRON MINIMUM MATTE TIN OVER  
1.27MICRON MINIMUM NICKEL UNDER PLATING.
- TAIL COPLANARITY 0.08mm MAXIMUM.
- PRODUCT SPECIFICATION: PK-105296-002.
- PACKAGE SPECIFICATION: PS-105296-001.
- PRODUCTS MEET IP67 TEST REQUEST.
- COMPLIANT TO RoHS DIRECTIVE 2011/65/EU AND ELV 2000/53/EC.



RECOMMENDED OPENING DIMENSIONS OF CASE  
MATING AREA WITH SEALING RING

105443-1111	0.55±0.08
105443-1101	1.05±0.12
PART NUMBER	DIM A



5	GND
4	ID
3	D+
2	D-
1	VBUS
PIN	NAME
PIN ASSIGNMENT	

ADD PART NUMBER	DESCRIPTION
EC NO: SH2016-0313	DRWN: XQZHANG 2015/12/03
DRWN: XQZHANG 2015/12/03	CHKD: XQZHANG 2016/06/01
CHKD: XQZHANG 2016/06/01	APPR: AYIN 2016/06/02
APPR: AYIN 2016/06/02	REV

QUALITY SYMBOLS	QUALITY SYMBOLS
F <sub>A</sub> =0	F <sub>A</sub> =0
F <sub>B</sub> =0	F <sub>B</sub> =0
F <sub>C</sub> =0	F <sub>C</sub> =0

GENERAL TOLERANCES (UNLESS SPECIFIED)	mm	INCH
	4 PLACES ± ---	± ---
DRAFT WHERE APPLICABLE MUST REMAIN WITHIN DIMENSIONS	3 PLACES ± ---	± ---
	2 PLACES ± 0.15	± ---
ANGULAR ± 3 °	1 PLACE ± 0.25	± ---
	0 PLACE ± ---	± ---

DIMENSION STYLE		SCALE	DESIGN UNITS	THIRD ANGLE PROJECTION
MM ONLY		1:1	METRIC	☉
DRAWN BY	DATE	TITLE		
XQZHANG	2015/02/12	SALES DRAWING FOR		
CHECKED BY	DATE	USB, MICRO-B		
XQZHANG	2015/02/12	WATERPROOF TYPE		
APPROVED BY	DATE	<b>molex</b>		
AYIN	2015/07/14			
MATERIAL NO.	DOCUMENT NO.	SHEET NO.		
SEE TABLE	SD-105443-110	1 OF 1		

THIS DRAWING CONTAINS INFORMATION THAT IS PROPRIETARY TO MOLEX INCORPORATED AND SHOULD NOT BE USED WITHOUT WRITTEN PERMISSION	
---	--

9 8 7 6 5 4 3 2 1