

# Single-stage Surge Protector – RS-232, DB9 Connectors

Model 232SP9

**B+B SMARTWORX**

Powered by

**ADVANTECH**

[www.advantech-bb.com](http://www.advantech-bb.com)



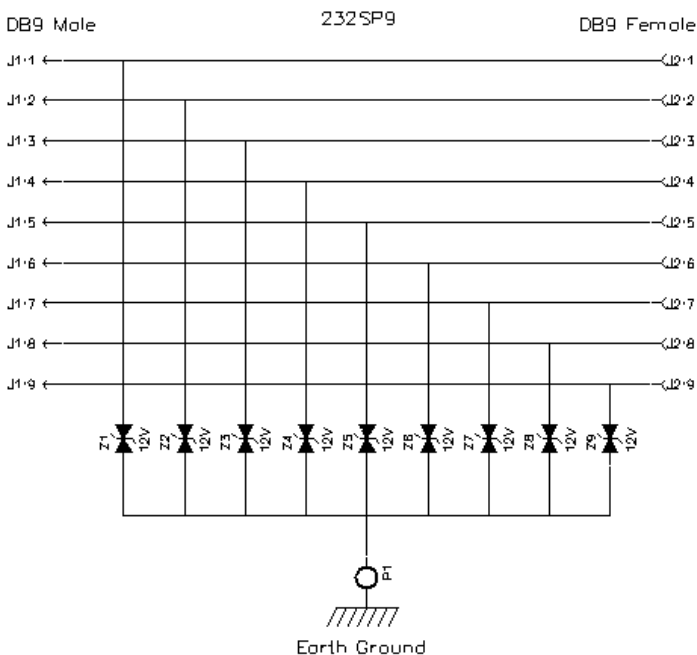
## PRODUCT FEATURES

- 600W Transient Voltage Protection
- Protects All 9 Pins
- Compact Size
- Easy, Inline Installation

Model 232SP9 protects RS-232 ports from damage caused by large voltage peaks from lightning and other power problems. The surge protector uses 600W Transient Voltage Suppressors to protect all 9 pins. It has one DB9 male and one DB9 female connector with all 9 pins passing straight through. The TVSs are connected between the ground screw and pins 1, 2, 3, 4, 5, 6, 7, 8 and 9. The 232SP9 will suppress any voltage levels above 12 Volts without affecting the normal RS-232 data.

Model 232SP9 is placed inline, between the data cable and the RS-232 port, as close to the protected port as possible. The ground screw must be connected to earth ground. A minimum of 12 AWG copper wire is recommended. Model CU15B is a copper grouping strap, cut to length, for ground connections that are longer than a few feet (one meter). *If this device is not properly grounded, it will not protect RS-232 lines.*

## PIN OUTS



## ORDERING INFORMATION

### MODEL NUMBER

<b>232SP9</b>	RS-232 Surge Protector, DB9
---------------	-----------------------------

### ACCESSORIES - sold separately

9PAMF6 - DB9 male to DB9 female adapter cable, 1.8 m (6 ft.)

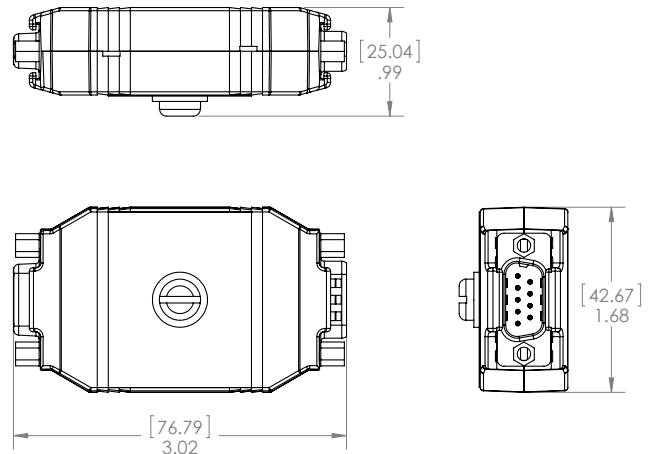
CU15B - Copper grounding strap, 38 x 0.25 mm (1.5 x 0.016 in) - sold by foot length

## SPECIFICATIONS

Connectors	DB9 Male, DB9 Female
Clamping Voltage	12 Volts
Peak Pulse Power	600 Watts @ 1 msec.
Response Time	Less than 1 Picosecond
Typical Capacitance	200 Picofarads
Ground Screw	Size 10#
Dimensions	25.04L x 76.9W x 42.67H mm (.99L x 3.02W x 1.68H in)
<b>MEANTIME BEFORE FAILURE (MTBF)</b>	
MTBF	4268324 hours
MTBF Calc. Method	MIL117F Parts Count Reliability Prediction
<b>CERTIFICATIONS</b>	
CE/FCC	
2011/65/EU	Reduction of Hazardous Substance Directive

## MECHANICAL DRAWING

Units = [mm] inches



All product specifications are subject to change without notice.

232SP9\_3517ds

**B+B SMARTWORX**

Powered by

**ADVANTECH**

orders@advantech-bb.com  
support@advantech-bb.com

Corporate Headquarters: 707 Dayton Road, PO Box 1040 Ottawa, IL 61350 USA 815-433-5100 Fax 433-5104  
European Office: Westlink Commercial Park, Oranmore Co. Galway Ireland +353 91 792444 Fax +353 91 792445